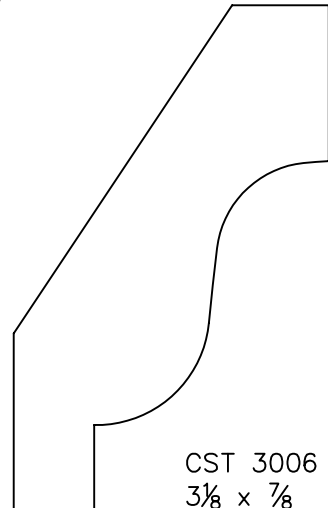
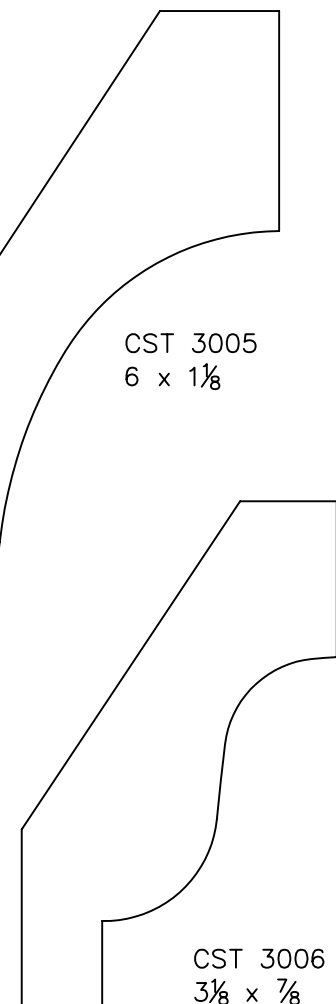
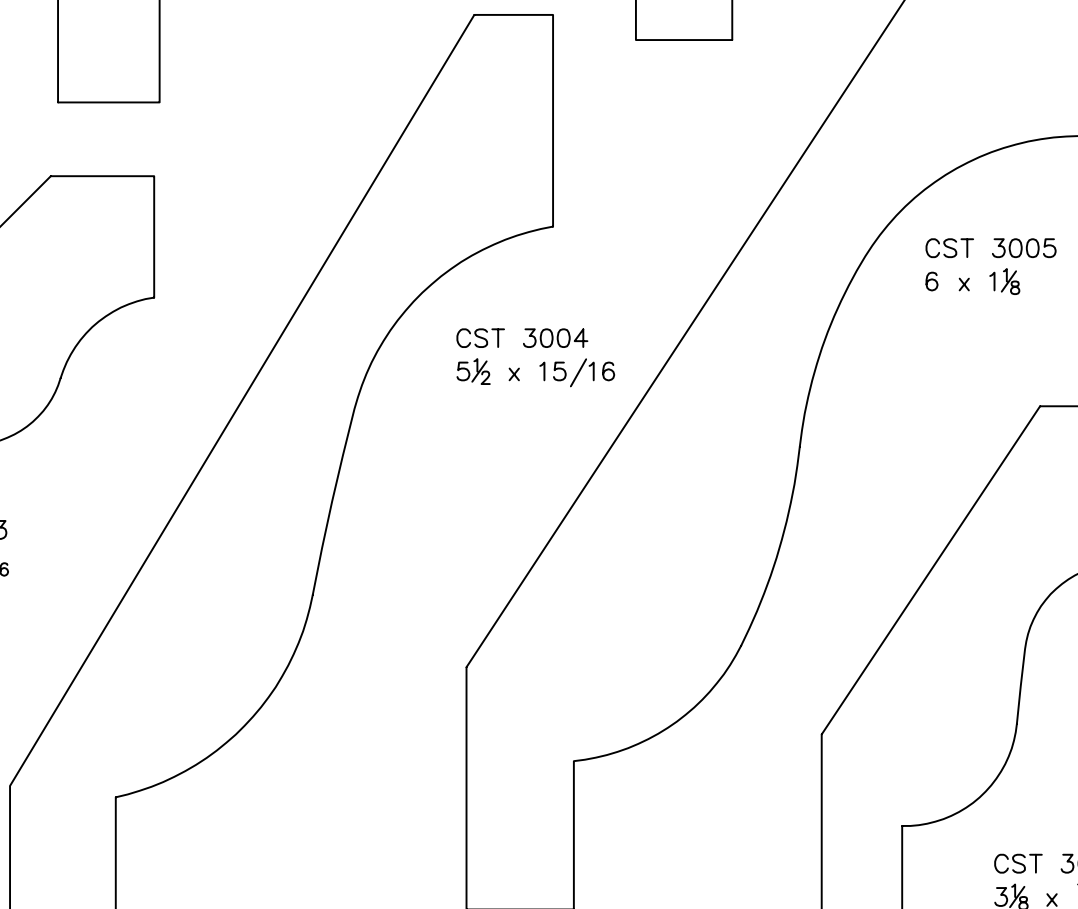
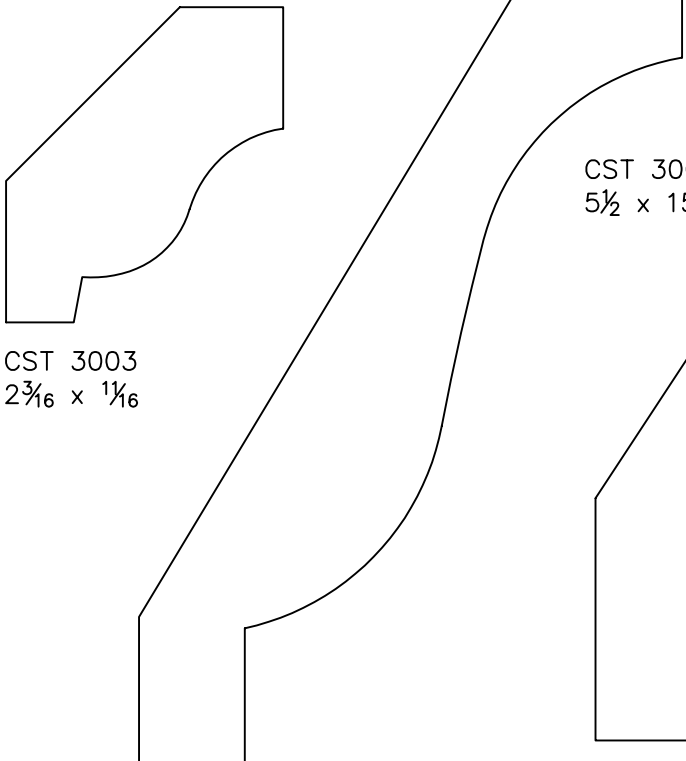
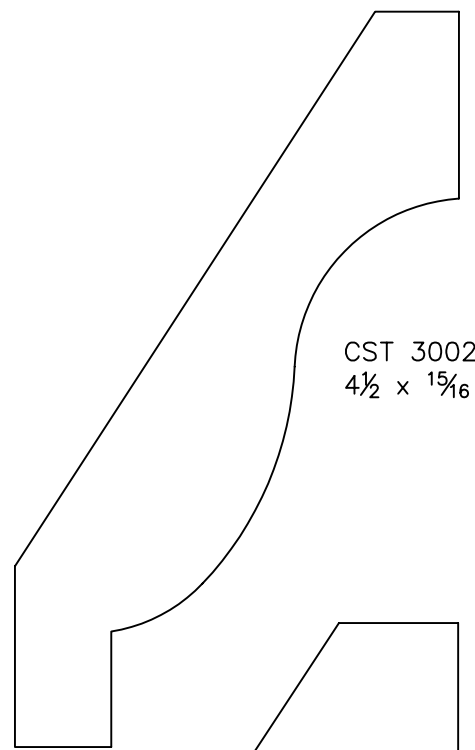
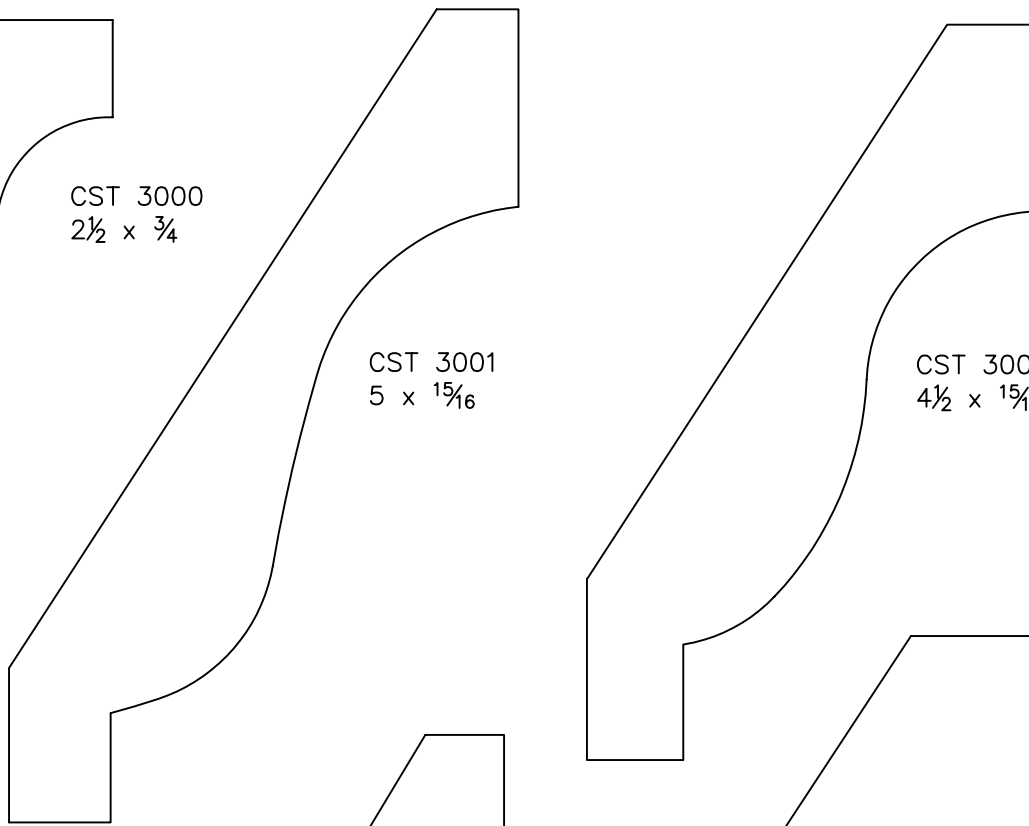
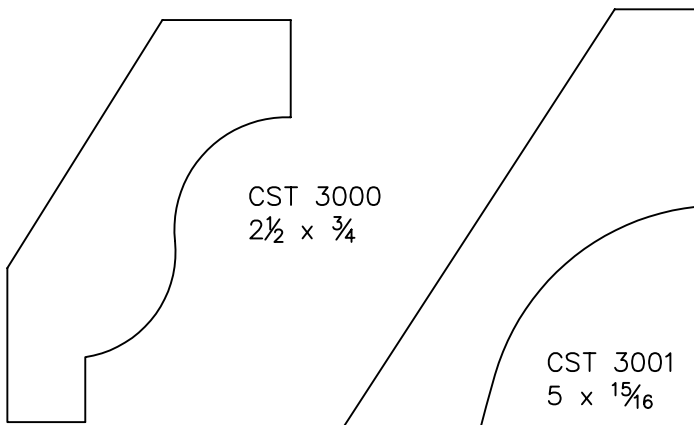


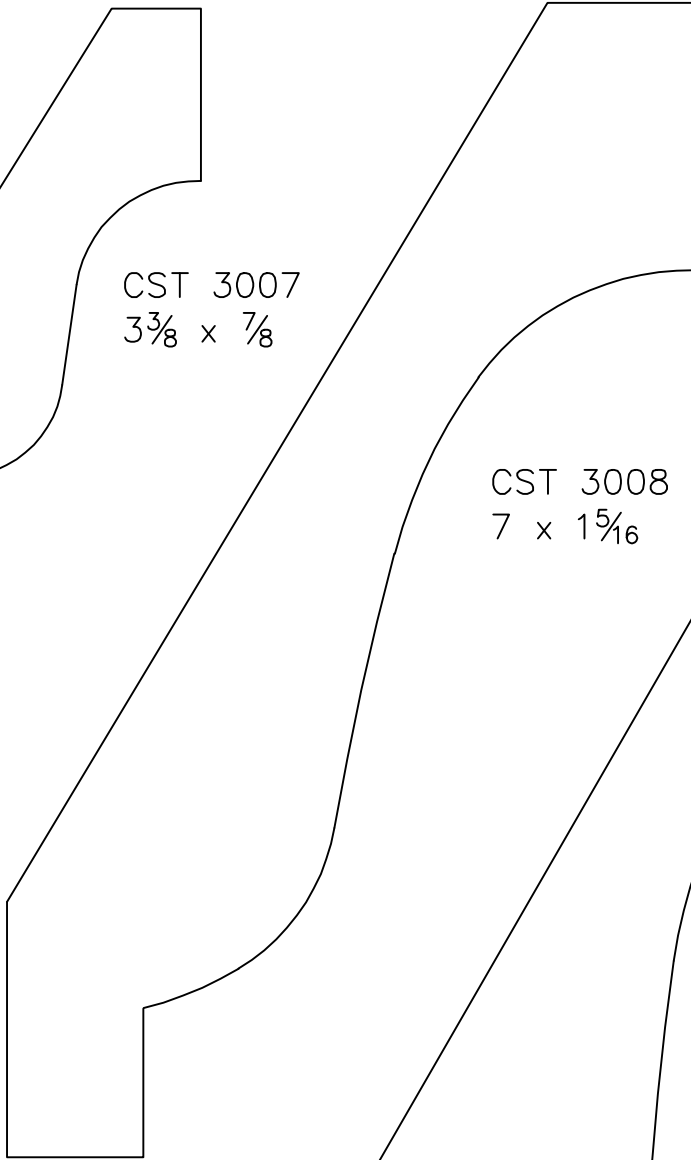
Crowns



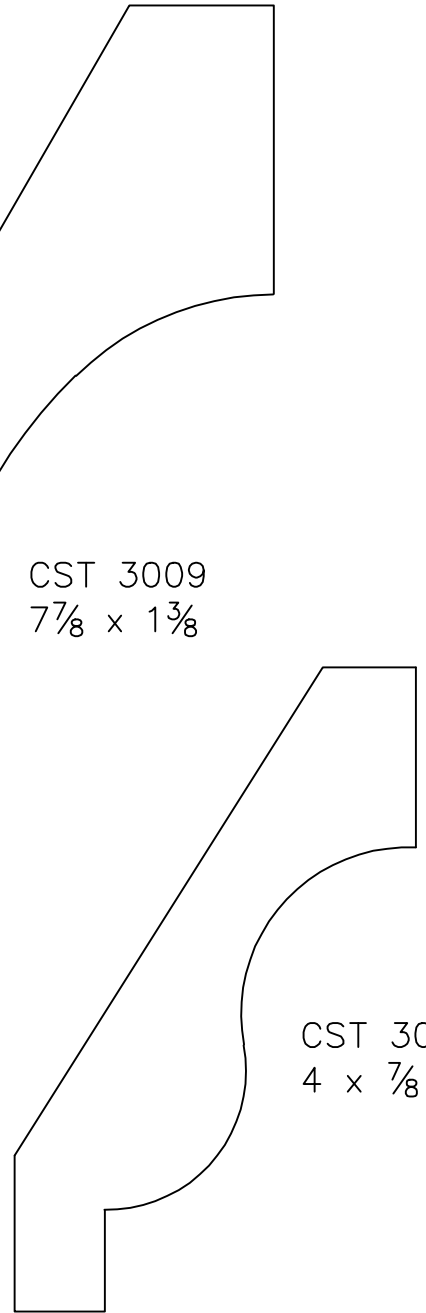
Crowns



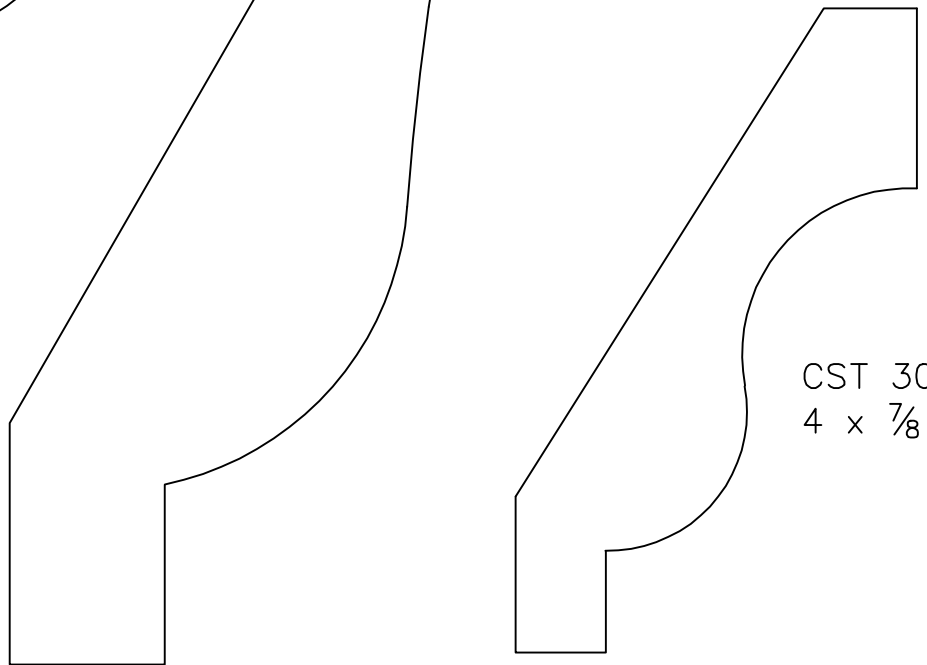
CST 3007
 $3\frac{3}{8} \times \frac{7}{8}$



CST 3008
 $7 \times 1\frac{5}{16}$

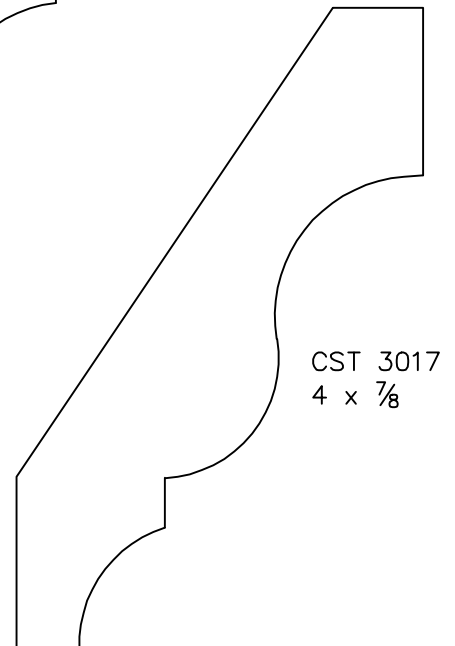
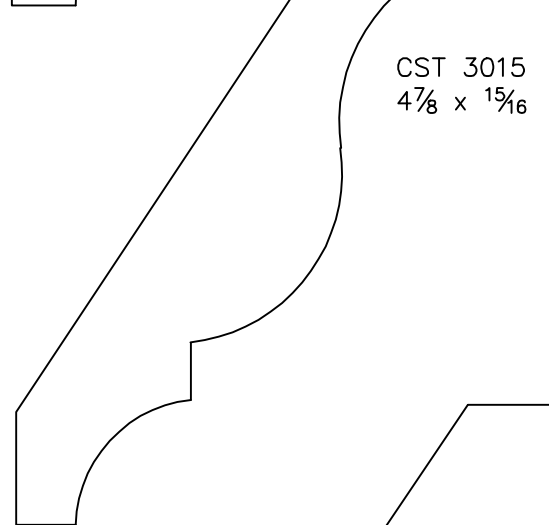
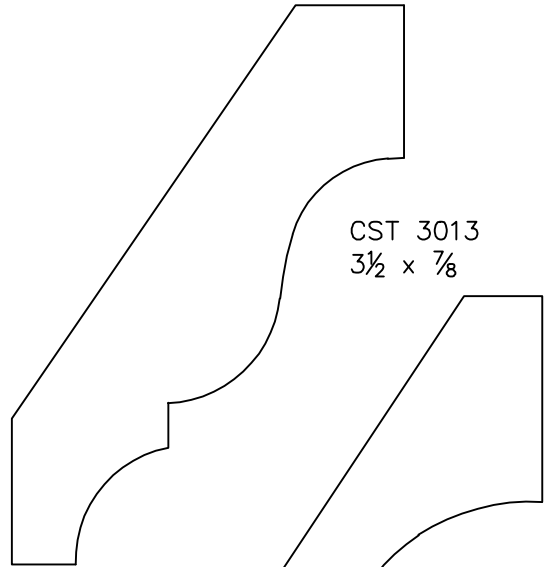
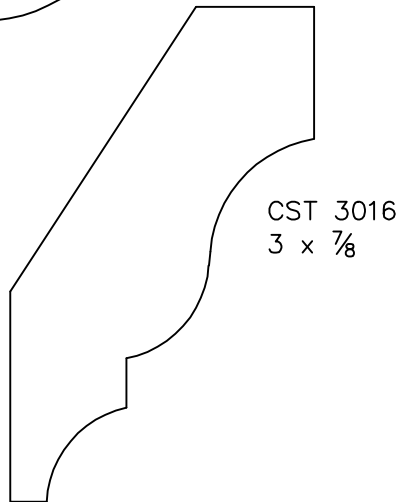
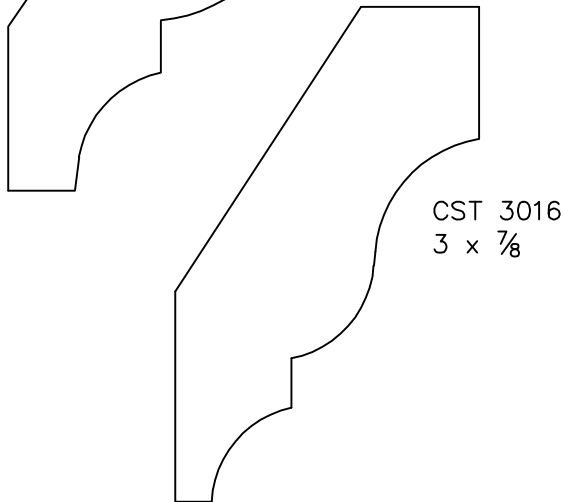
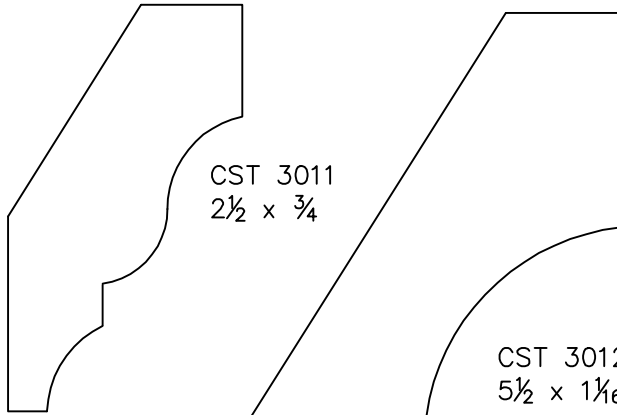


CST 3009
 $7\frac{7}{8} \times 1\frac{3}{8}$

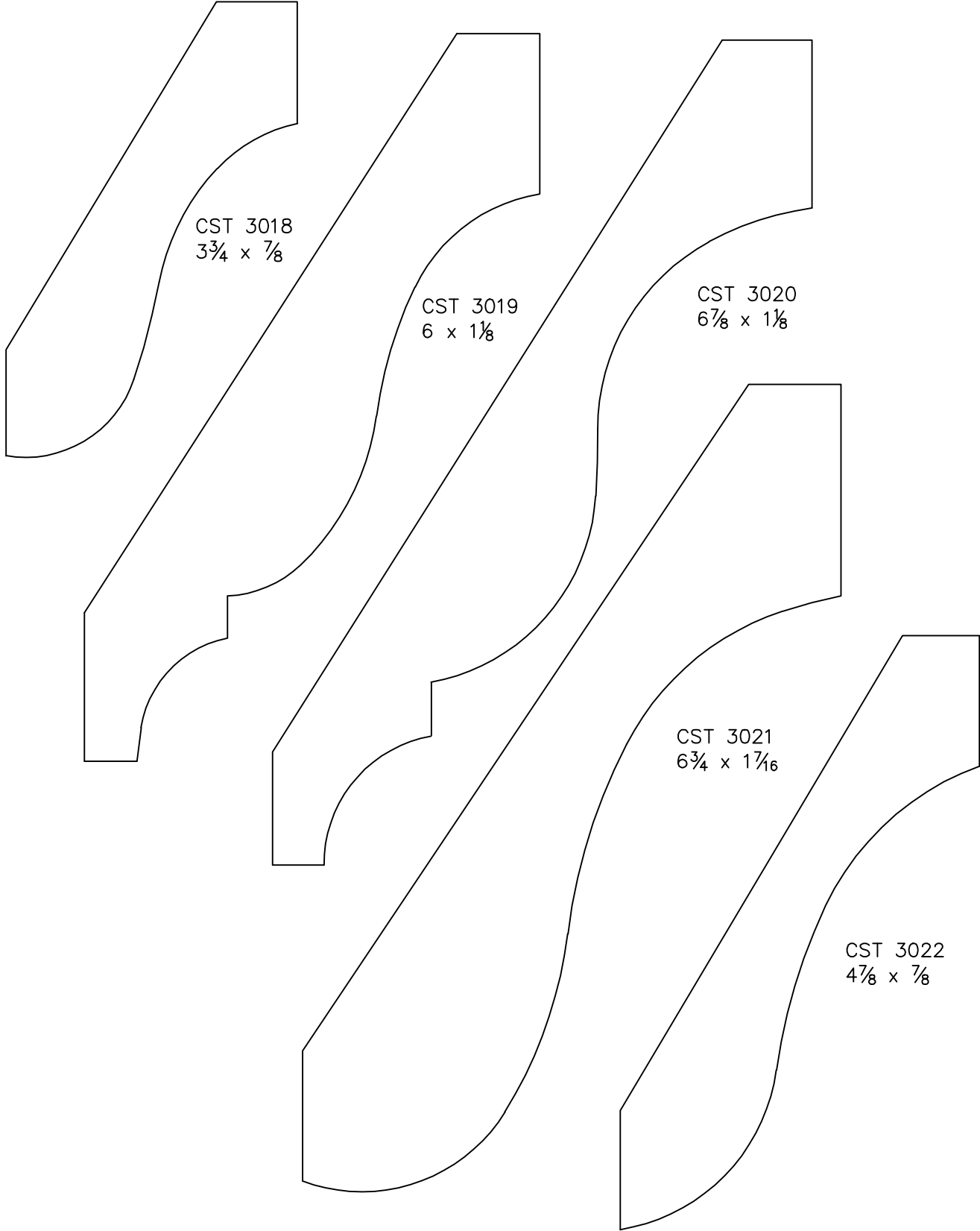


CST 3010
 $4 \times \frac{7}{8}$

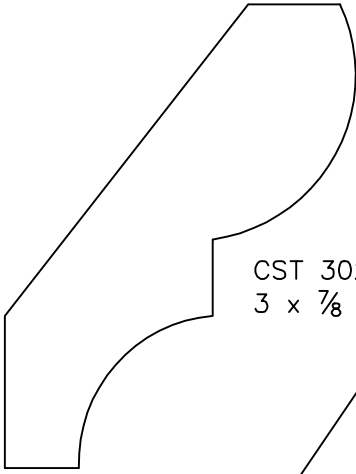
Crowns



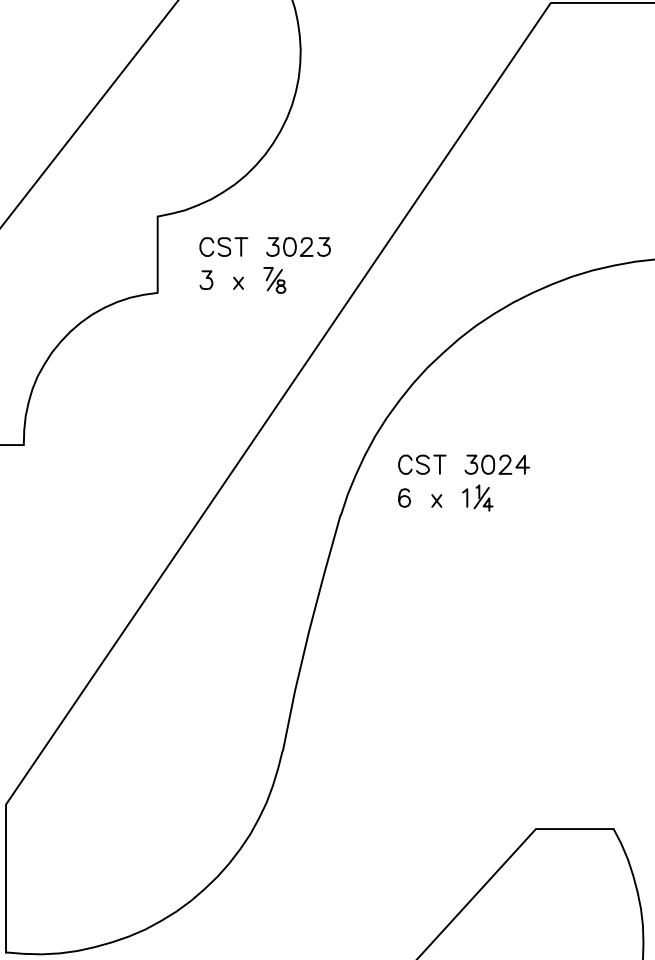
Crowns



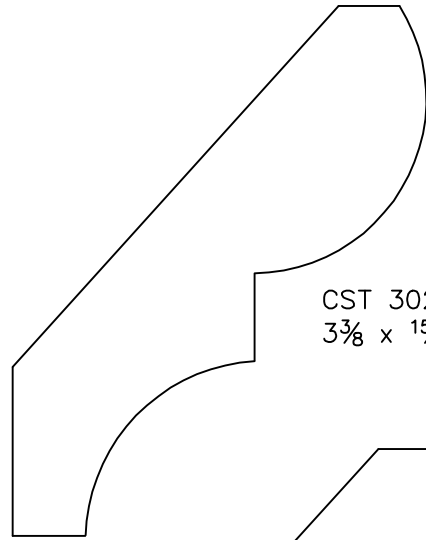
Crowns



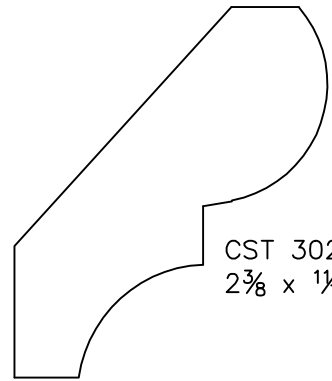
CST 3023
3 x $\frac{7}{8}$



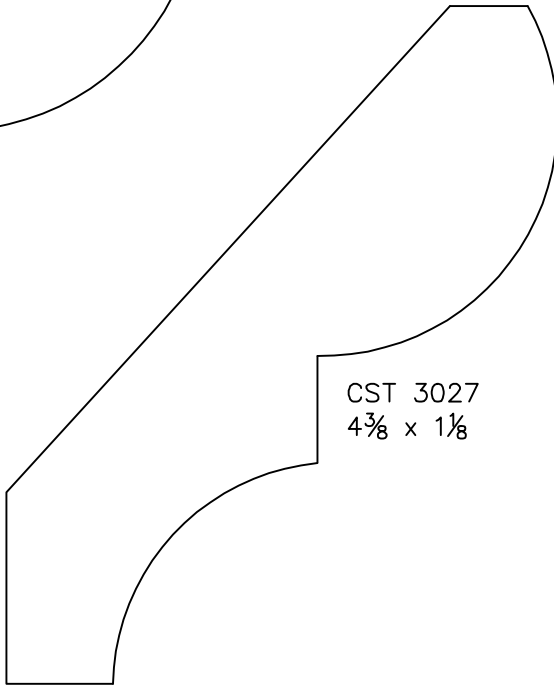
CST 3024
6 x $1\frac{1}{4}$



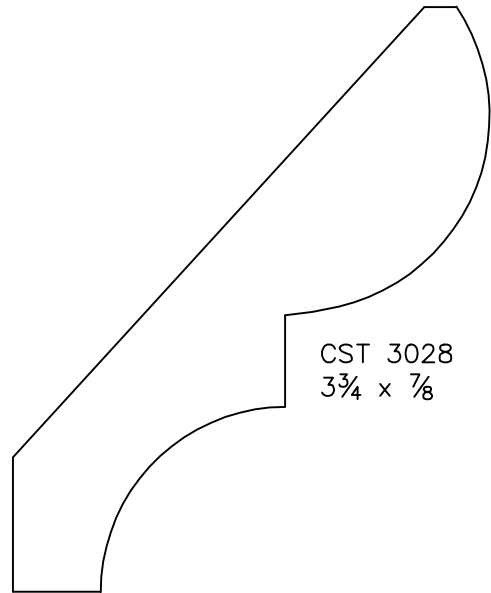
CST 3025
 $3\frac{3}{8}$ x $1\frac{5}{16}$



CST 3026
 $2\frac{3}{8}$ x $1\frac{1}{16}$

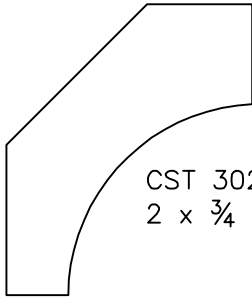


CST 3027
 $4\frac{3}{8}$ x $1\frac{1}{8}$

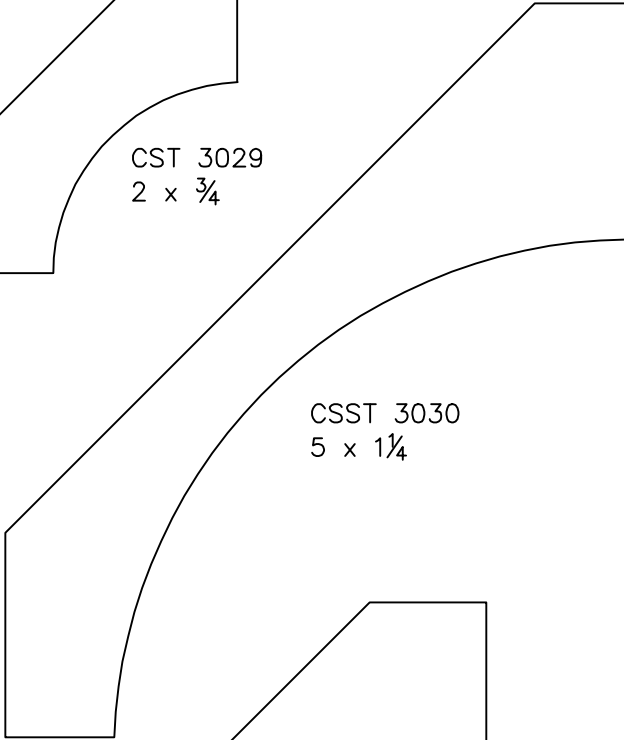


CST 3028
 $3\frac{3}{4}$ x $\frac{7}{8}$

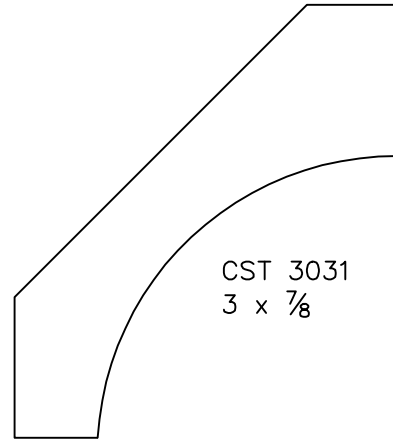
Crowns



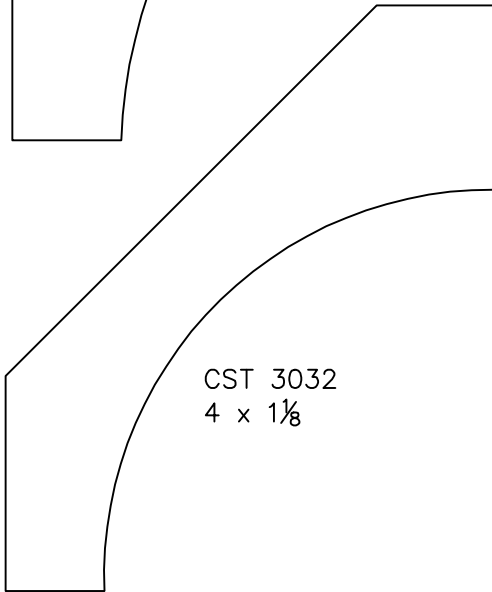
CST 3029
 $2 \times \frac{3}{4}$



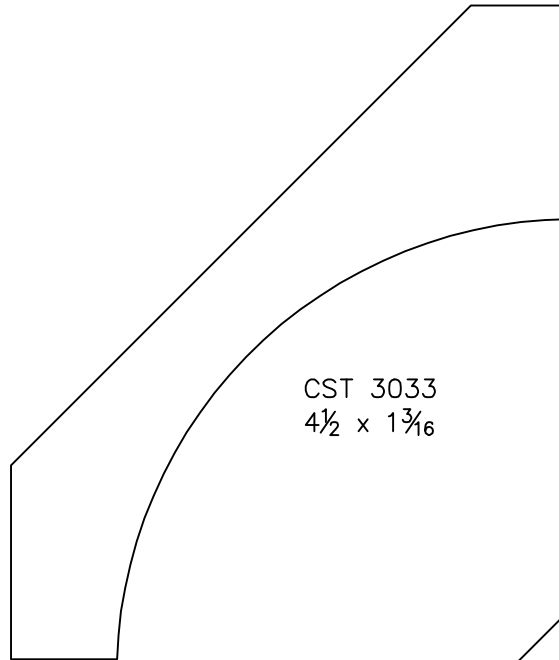
CSST 3030
 $5 \times 1\frac{1}{4}$



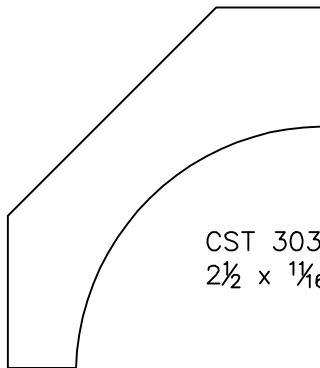
CST 3031
 $3 \times \frac{7}{8}$



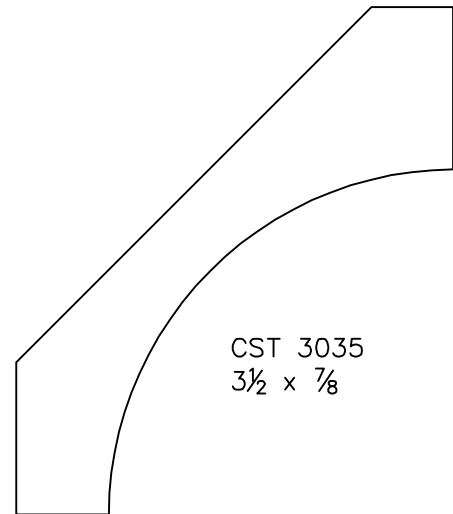
CST 3032
 $4 \times 1\frac{1}{8}$



CST 3033
 $4\frac{1}{2} \times 1\frac{3}{16}$

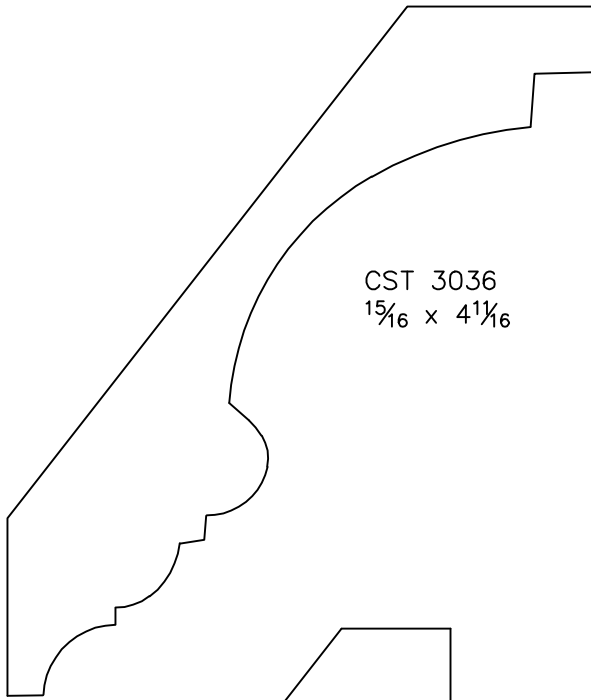


CST 3034
 $2\frac{1}{2} \times 1\frac{1}{16}$

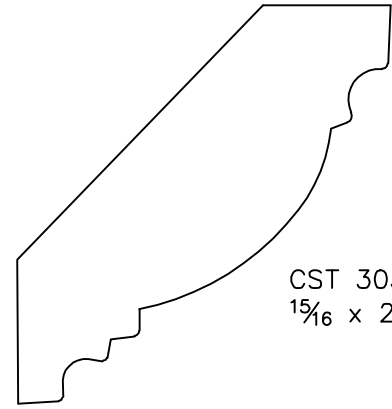


CST 3035
 $3\frac{1}{2} \times \frac{7}{8}$

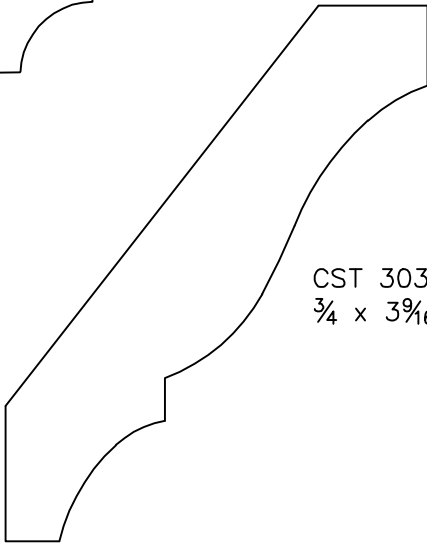
Crowns



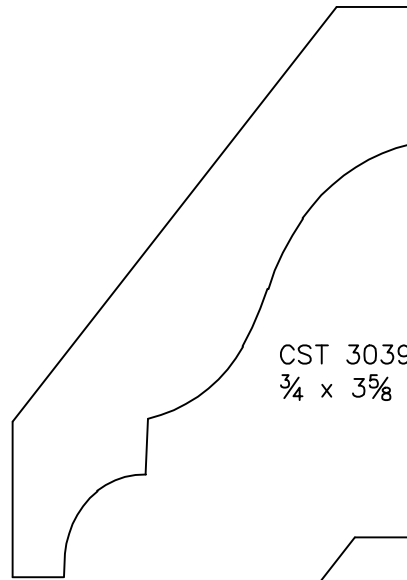
CST 3036
 $1\frac{5}{16} \times 4\frac{1}{16}$



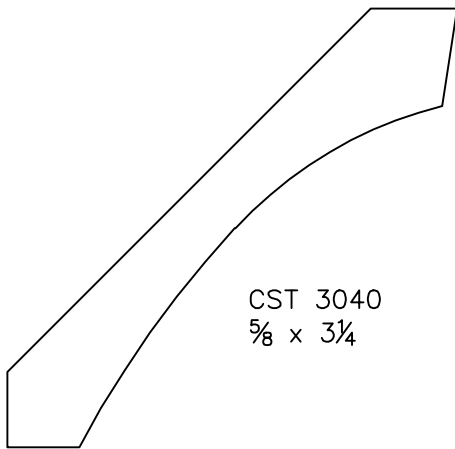
CST 3037
 $1\frac{5}{16} \times 2\frac{1}{16}$



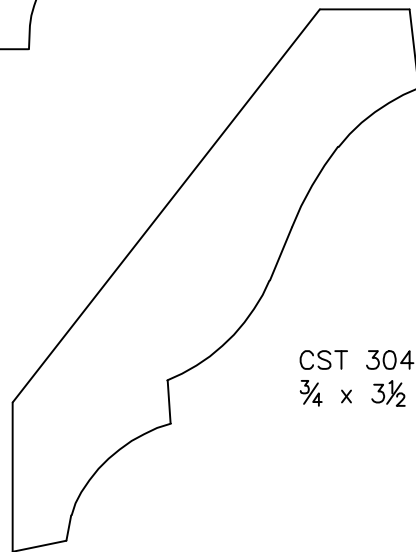
CST 3038
 $\frac{3}{4} \times 3\frac{9}{16}$



CST 3039
 $\frac{3}{4} \times 3\frac{5}{8}$

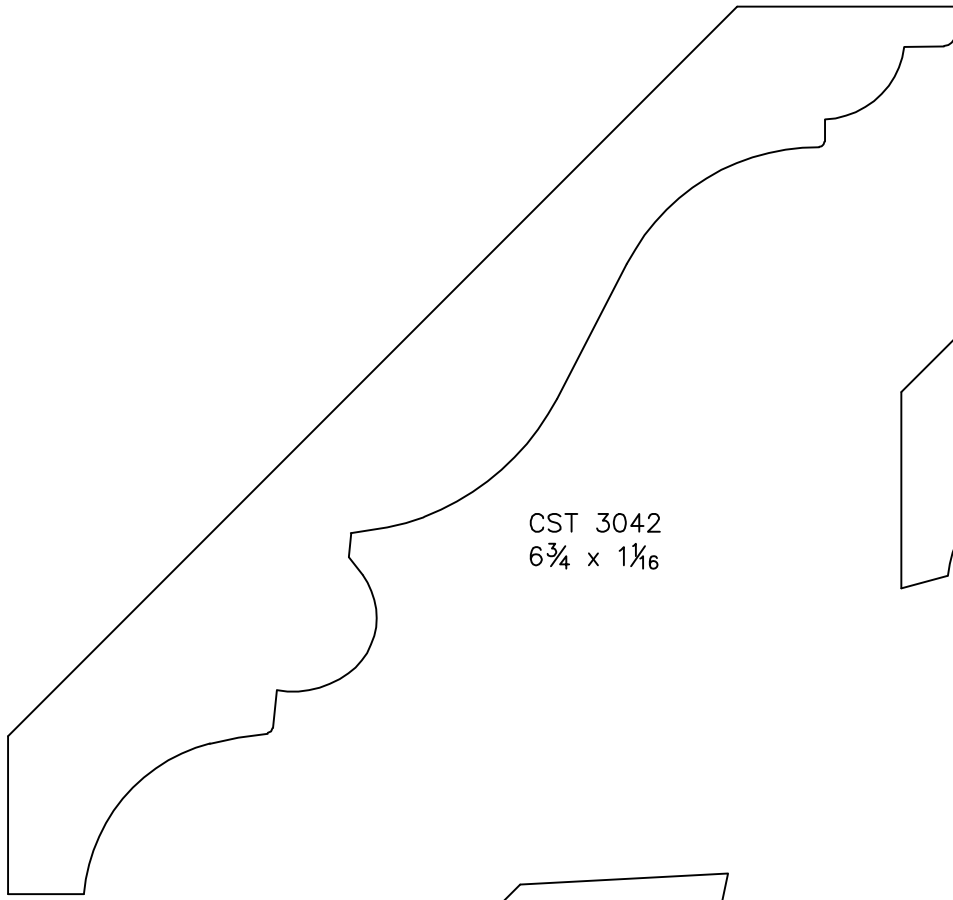


CST 3040
 $\frac{5}{8} \times 3\frac{1}{4}$

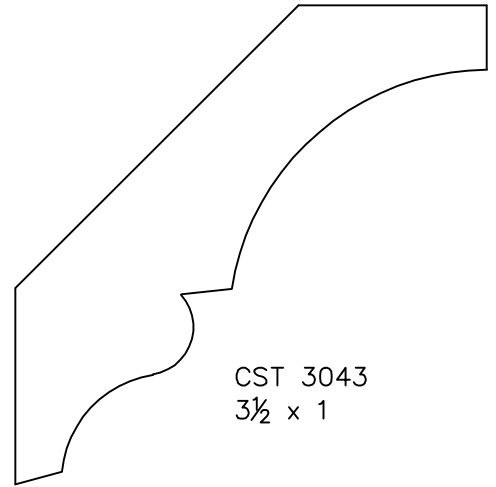


CST 3041
 $\frac{3}{4} \times 3\frac{1}{2}$

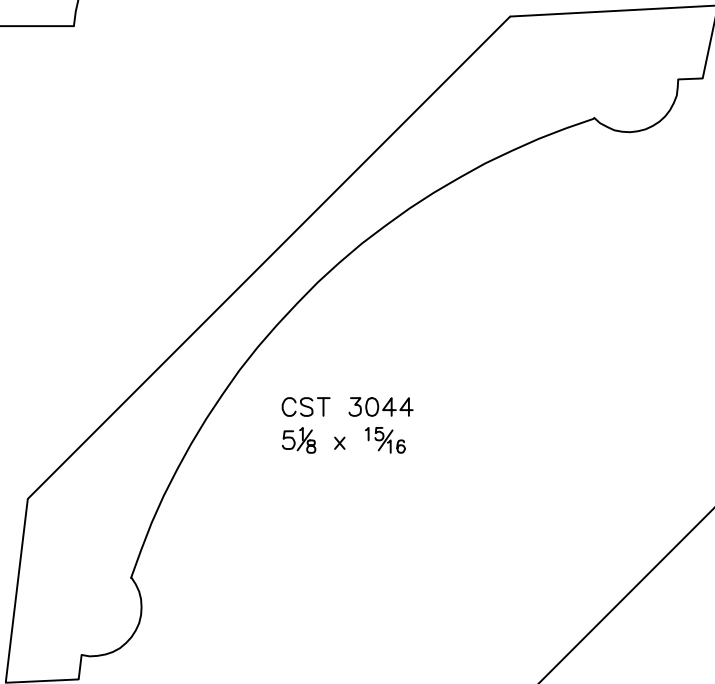
Crowns



CST 3042
 $6\frac{3}{4} \times 1\frac{1}{16}$



CST 3043
 $3\frac{1}{2} \times 1$

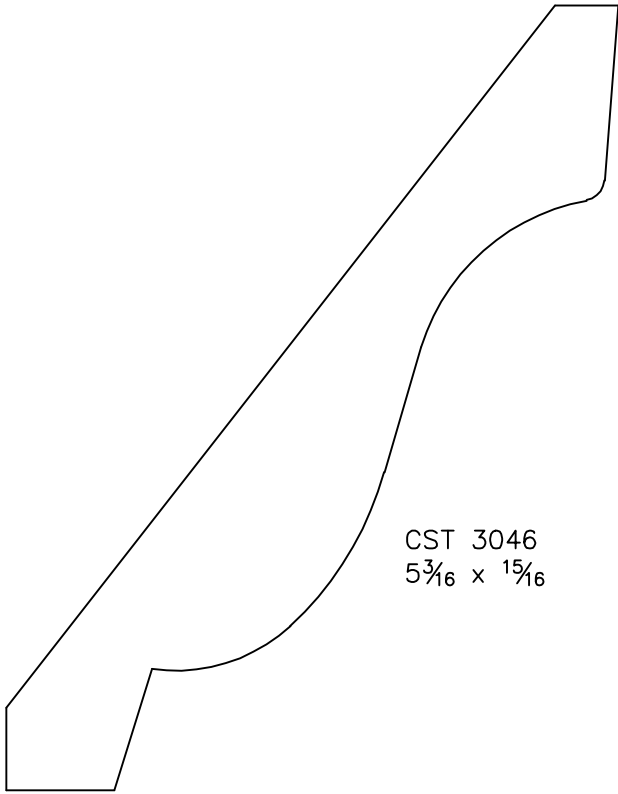


CST 3044
 $5\frac{1}{8} \times 1\frac{5}{16}$

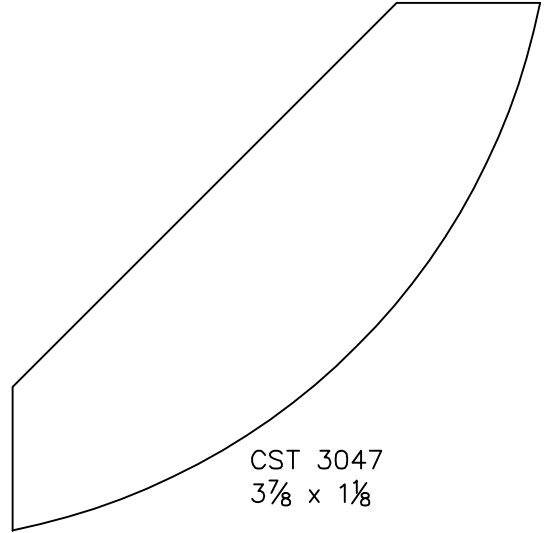


CST 3045
 $6\frac{1}{2} \times 1\frac{5}{16}$

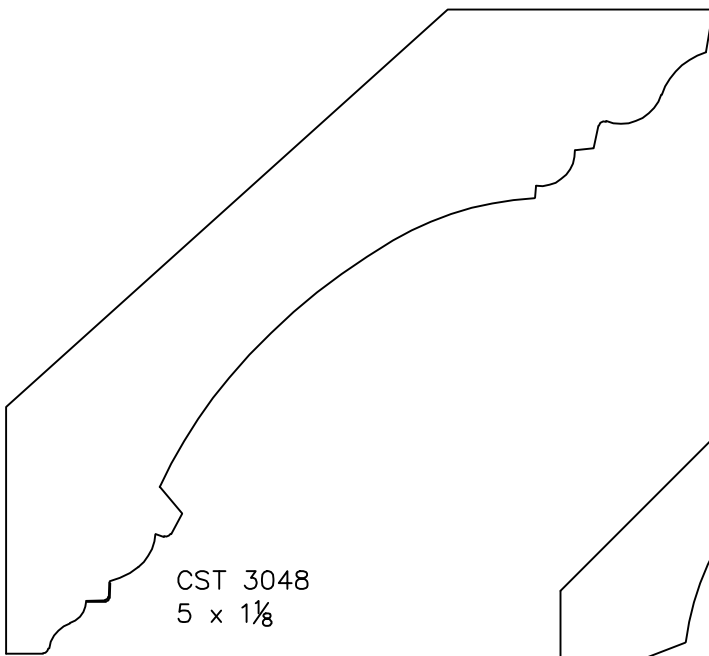
Crowns



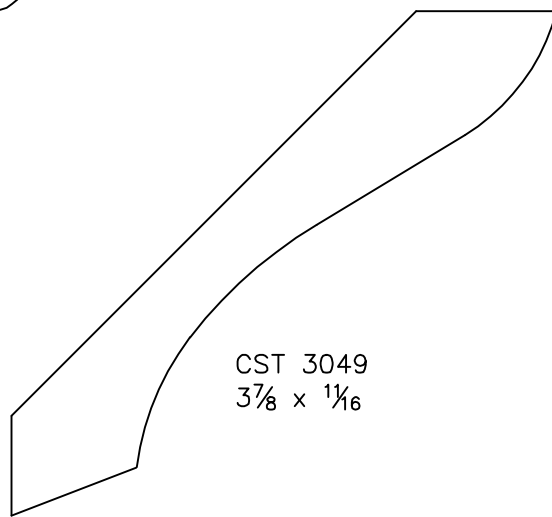
CST 3046
 $5\frac{3}{16} \times 1\frac{5}{16}$



CST 3047
 $3\frac{7}{8} \times 1\frac{1}{8}$

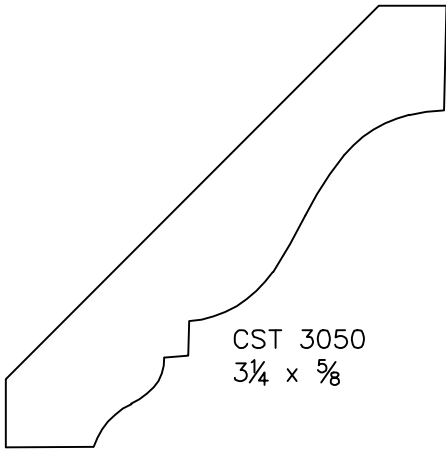


CST 3048
 $5 \times 1\frac{1}{8}$

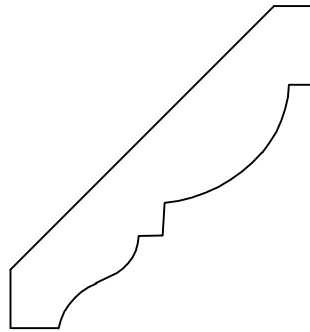


CST 3049
 $3\frac{7}{8} \times 1\frac{1}{16}$

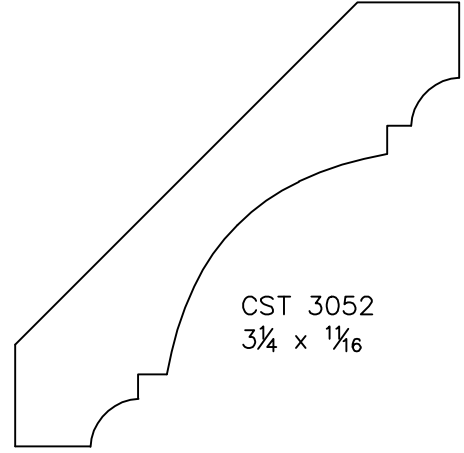
Crowns



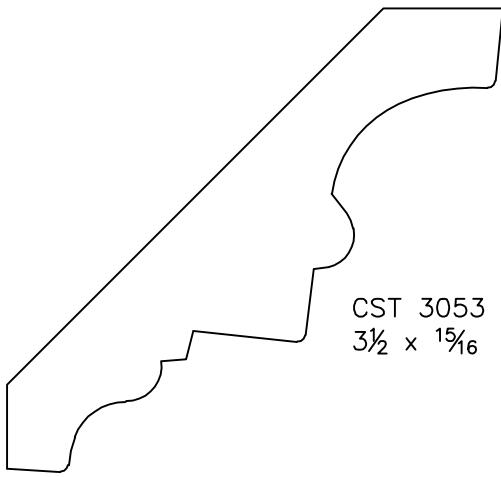
CST 3050
 $3\frac{1}{4} \times \frac{5}{8}$



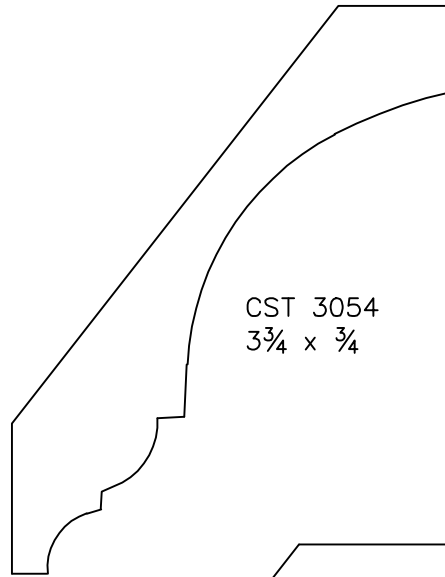
CST 3051
 $2\frac{1}{4} \times \frac{1}{2}$



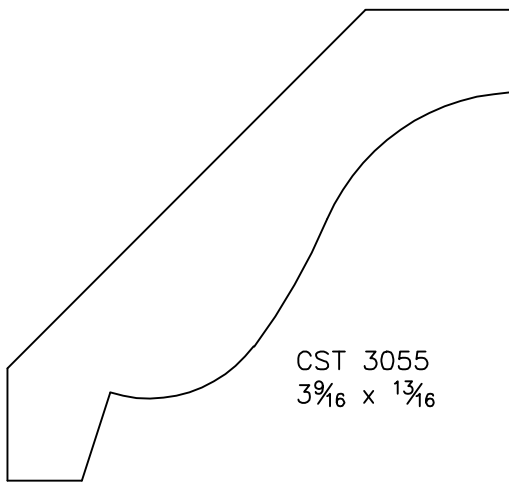
CST 3052
 $3\frac{1}{4} \times 1\frac{1}{16}$



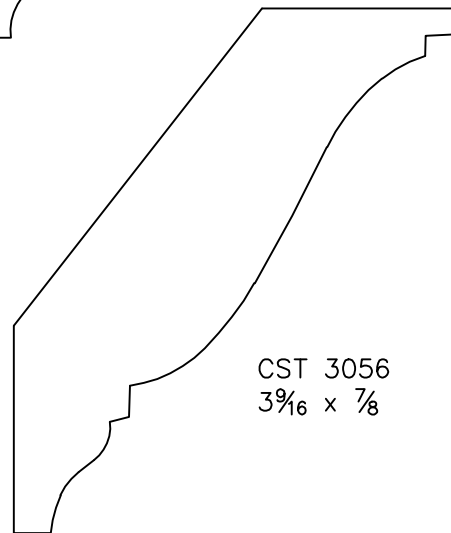
CST 3053
 $3\frac{1}{2} \times 1\frac{15}{16}$



CST 3054
 $3\frac{3}{4} \times \frac{3}{4}$



CST 3055
 $3\frac{9}{16} \times 1\frac{13}{16}$

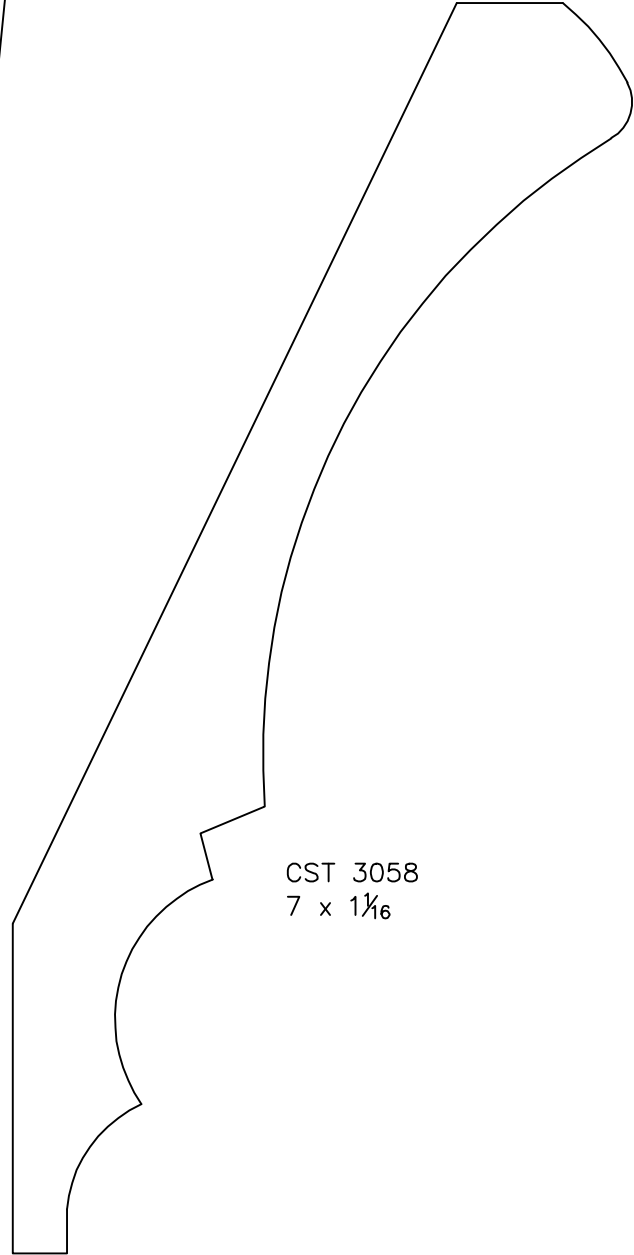


CST 3056
 $3\frac{9}{16} \times \frac{7}{8}$

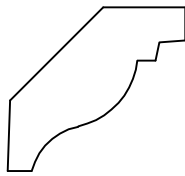
Crowns



CST 3057
 $5\frac{1}{2} \times 1\frac{1}{8}$

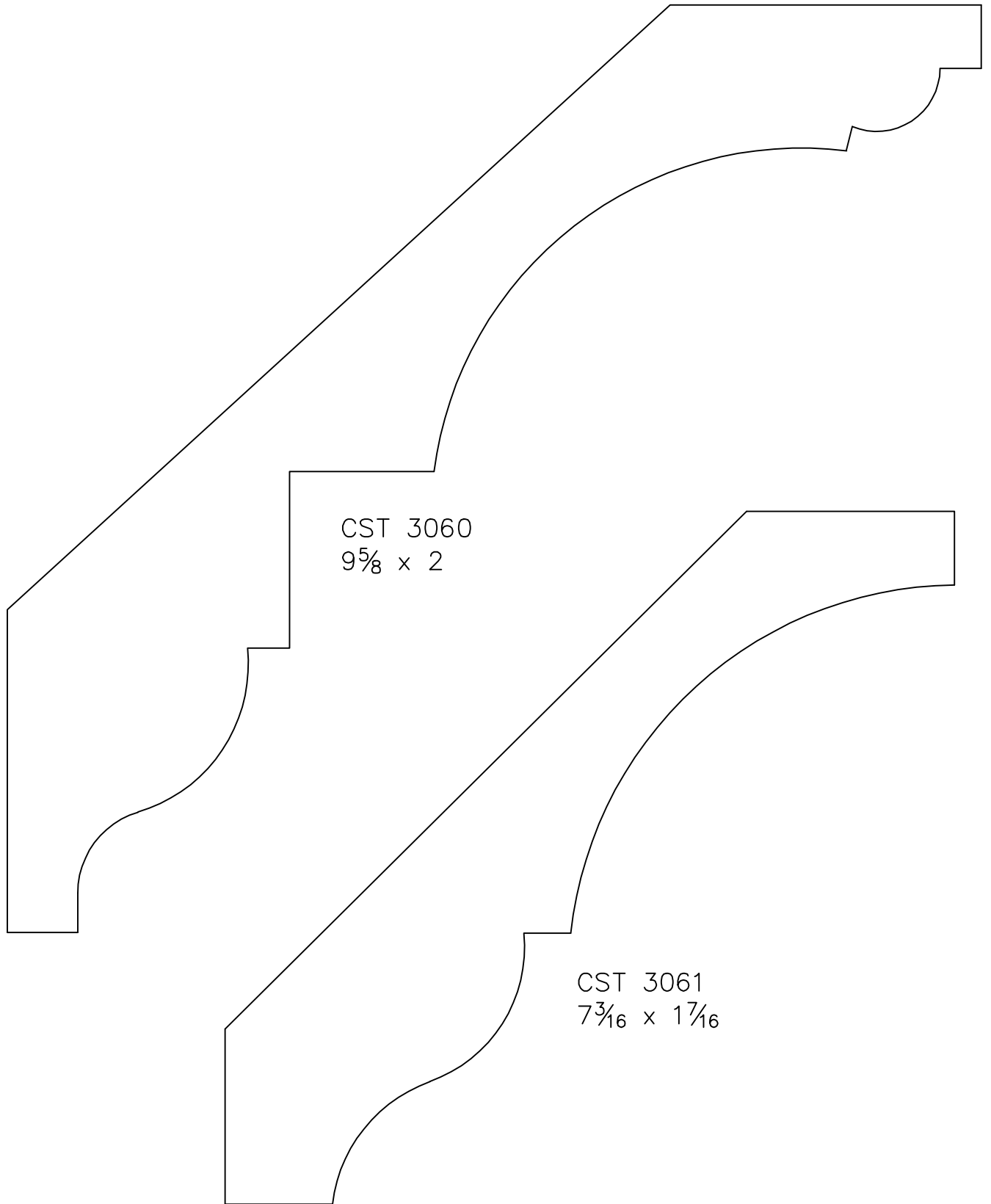


CST 3058
 $7 \times 1\frac{1}{16}$

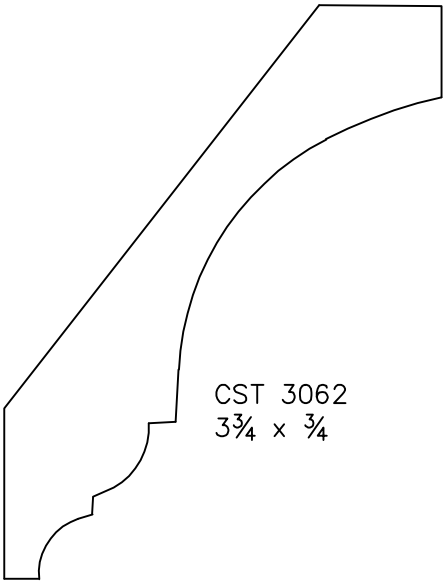


CST 3059
 $1\frac{1}{4} \times \frac{7}{16}$

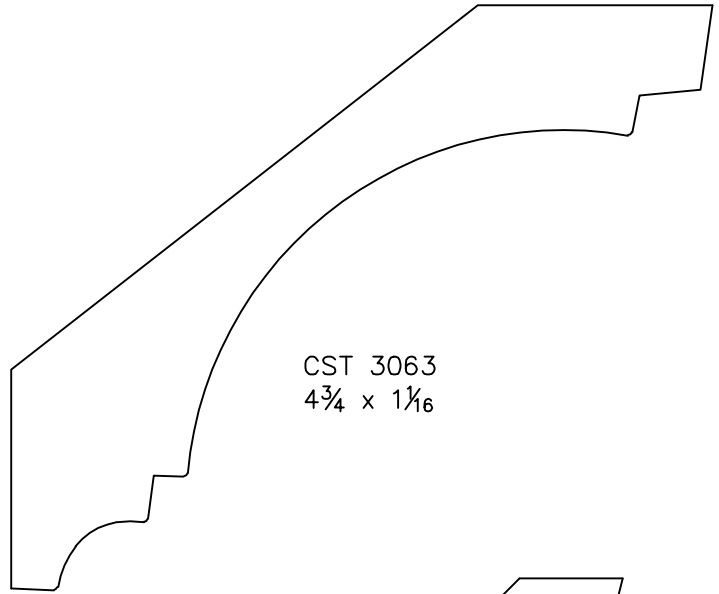
Crowns



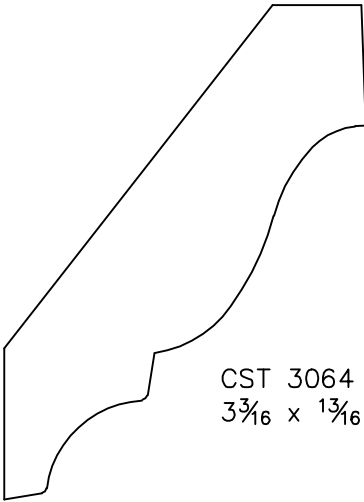
Crowns



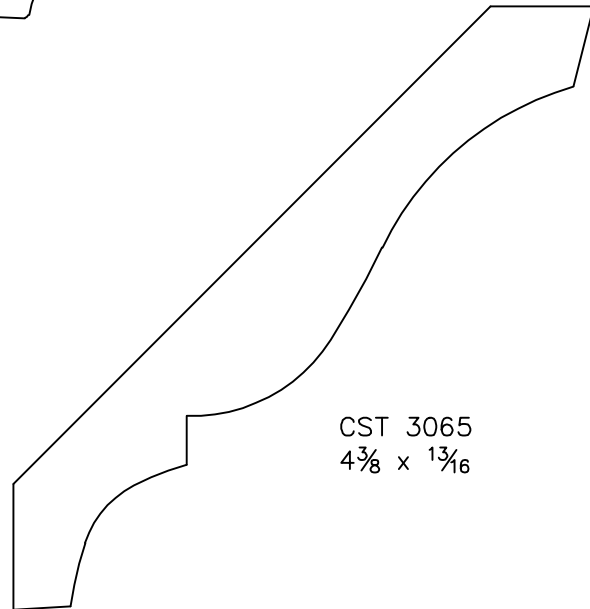
CST 3062
 $3\frac{3}{4} \times \frac{3}{4}$



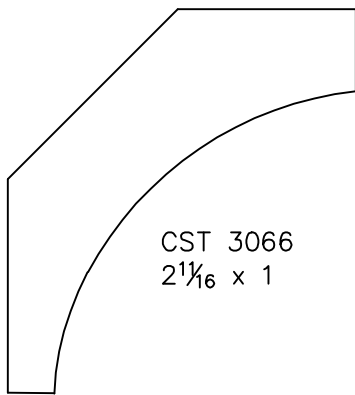
CST 3063
 $4\frac{3}{4} \times 1\frac{1}{6}$



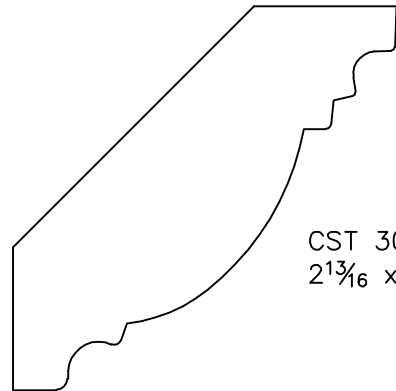
CST 3064
 $3\frac{3}{16} \times 1\frac{3}{16}$



CST 3065
 $4\frac{3}{8} \times 1\frac{3}{16}$

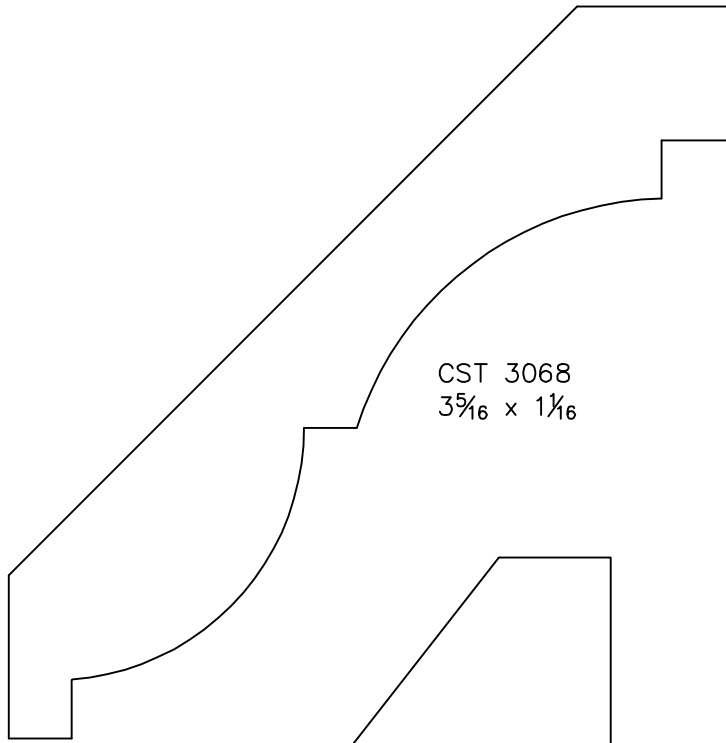


CST 3066
 $2\frac{1}{16} \times 1$



CST 3067
 $2\frac{13}{16} \times 1\frac{5}{16}$

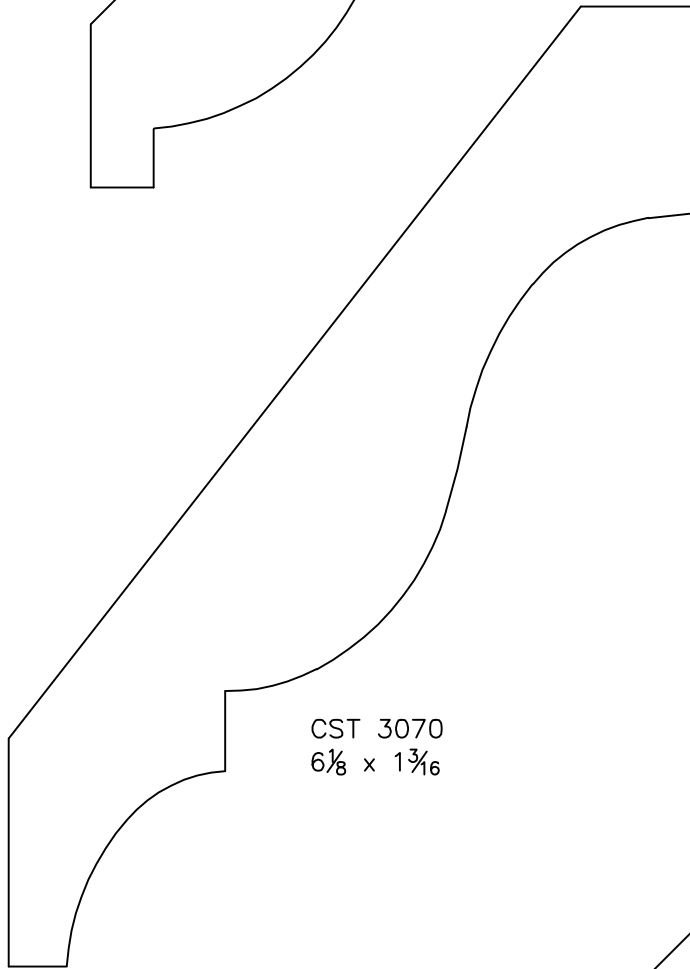
Crowns



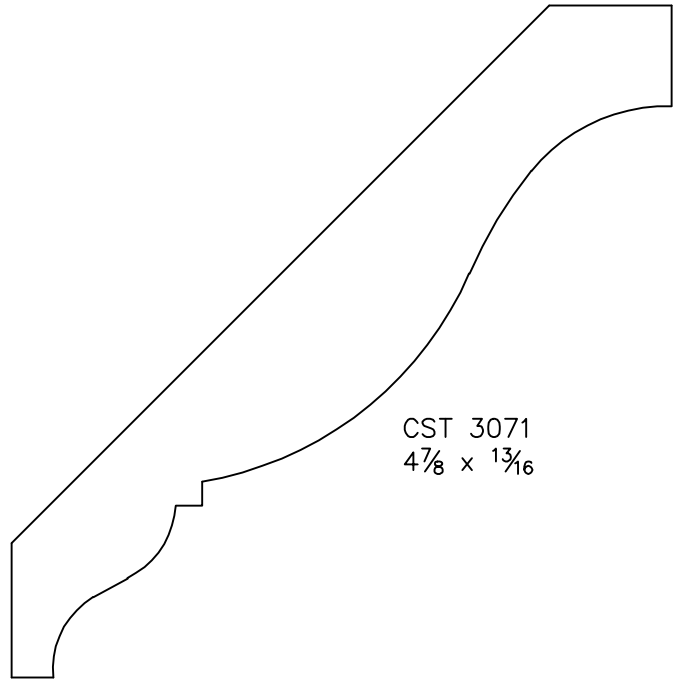
CST 3068
 $3\frac{5}{16} \times 1\frac{1}{16}$



CST 3069
 $4\frac{9}{16} \times \frac{7}{8}$

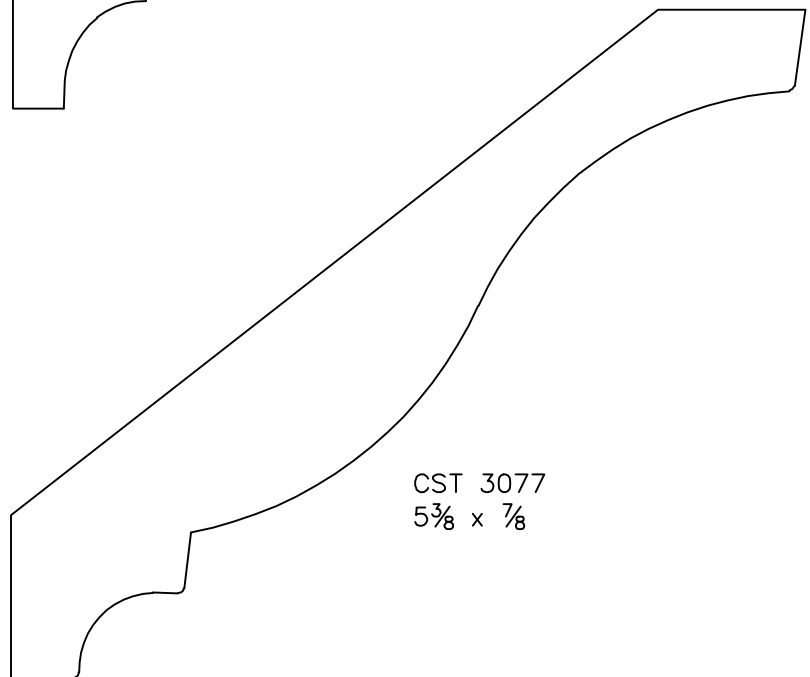
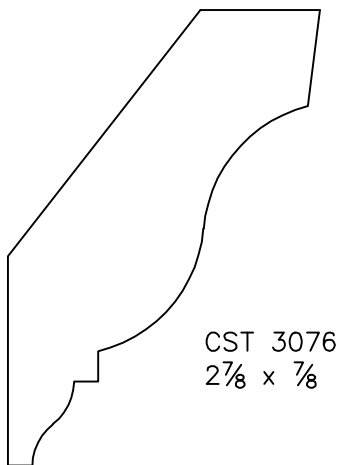
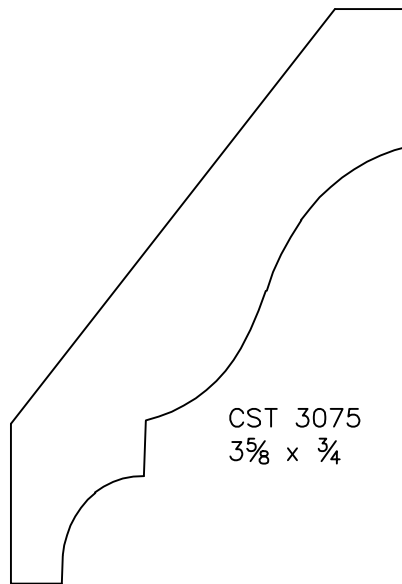
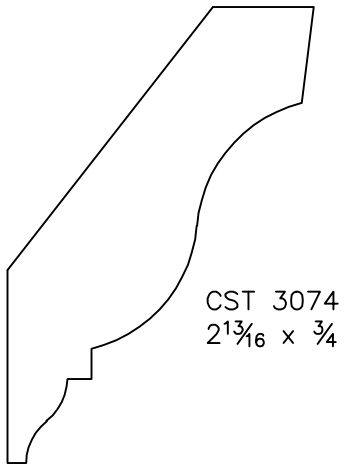
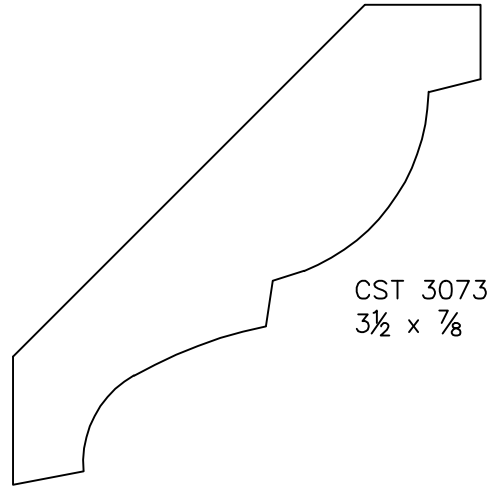
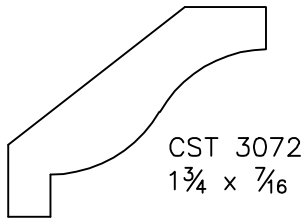


CST 3070
 $6\frac{1}{8} \times 1\frac{3}{16}$

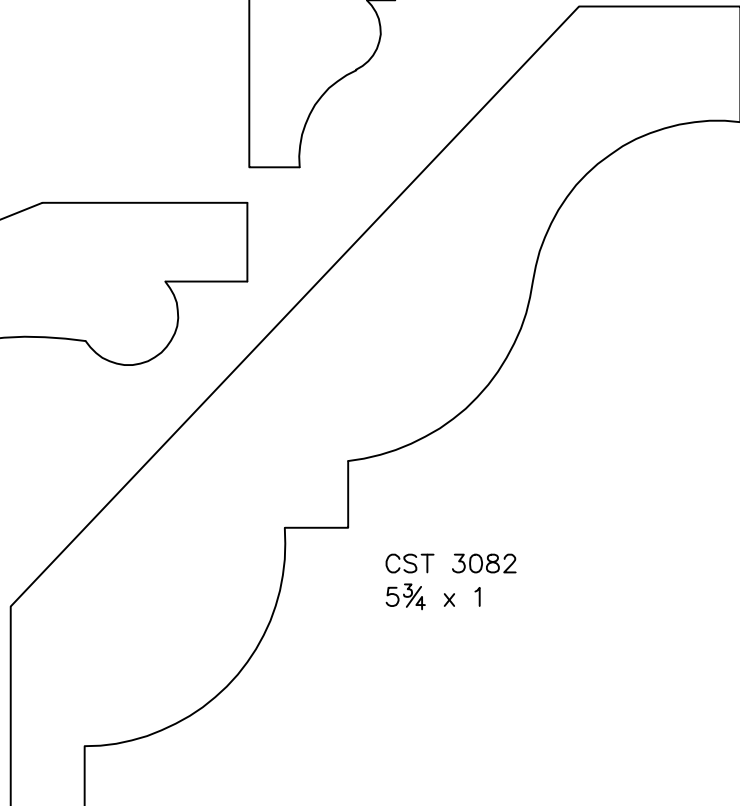
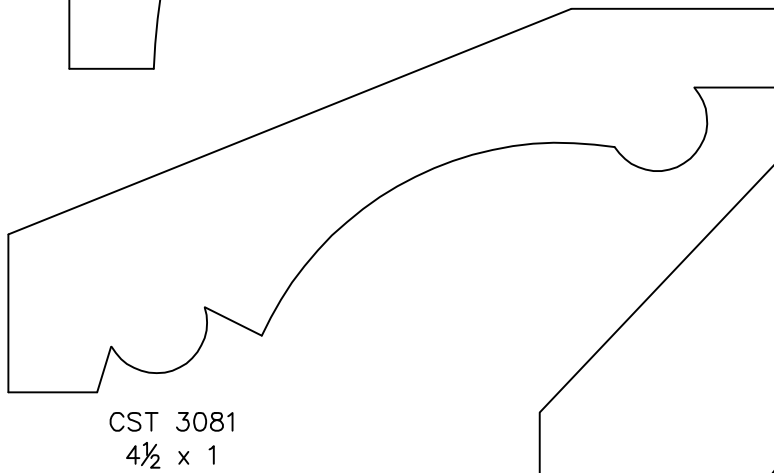
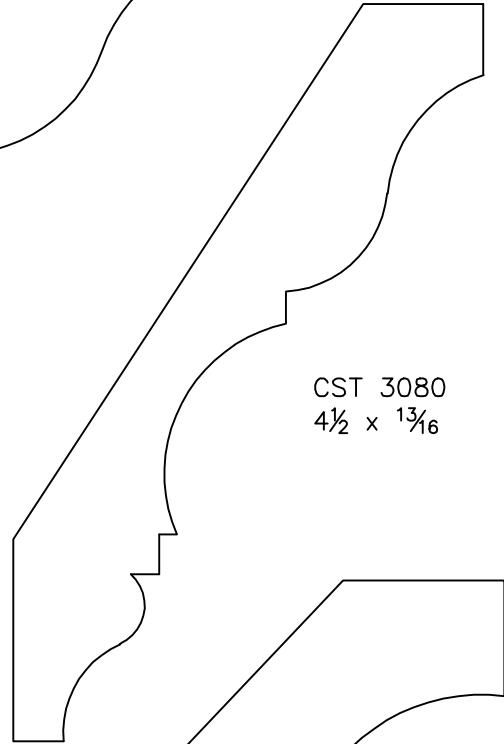
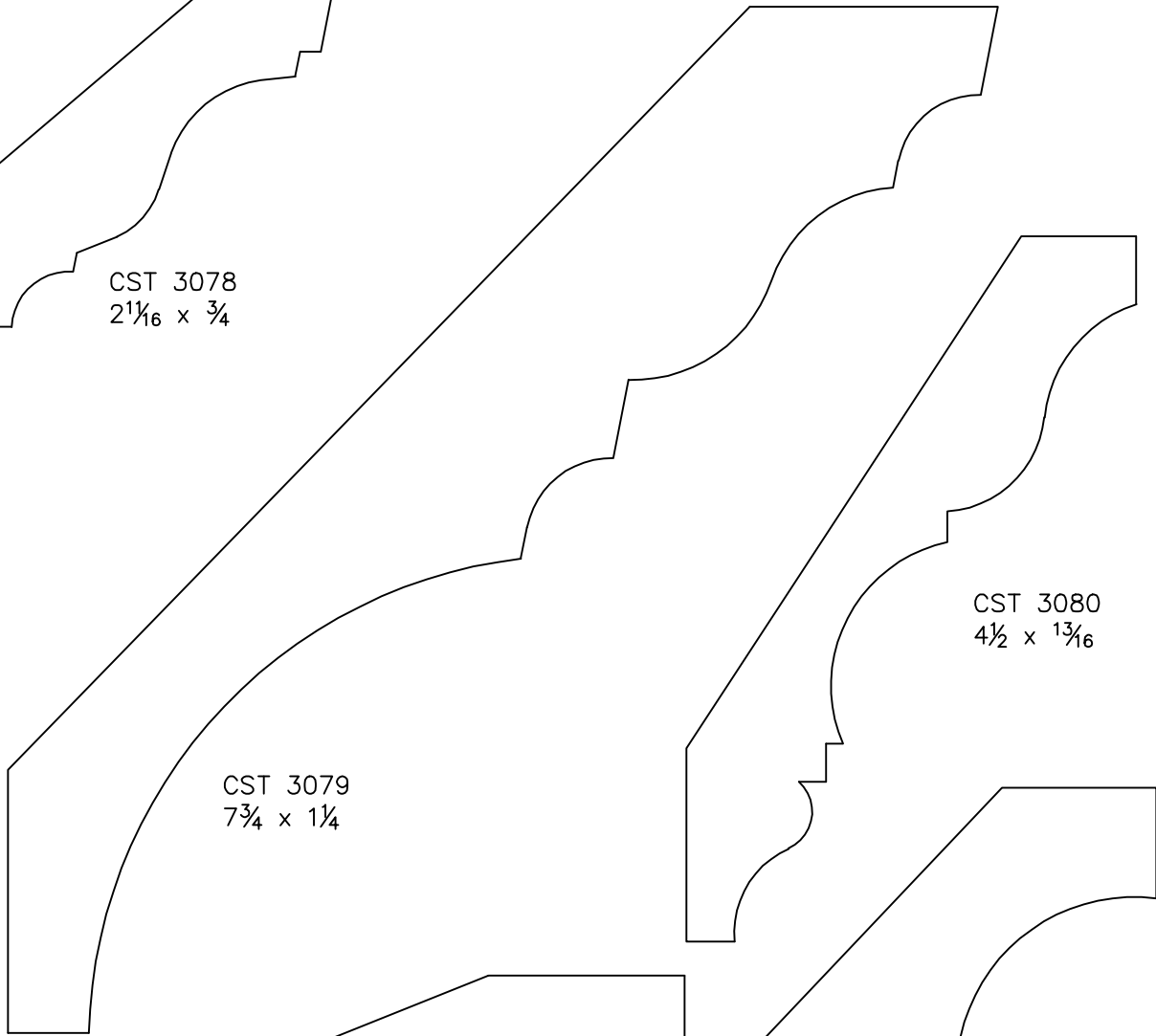
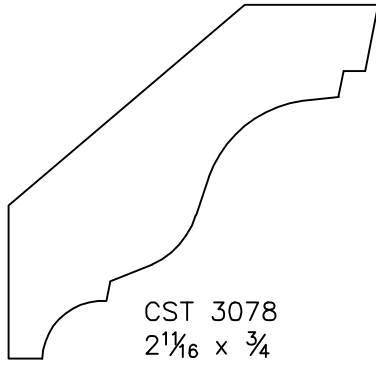


CST 3071
 $4\frac{7}{8} \times 1\frac{3}{16}$

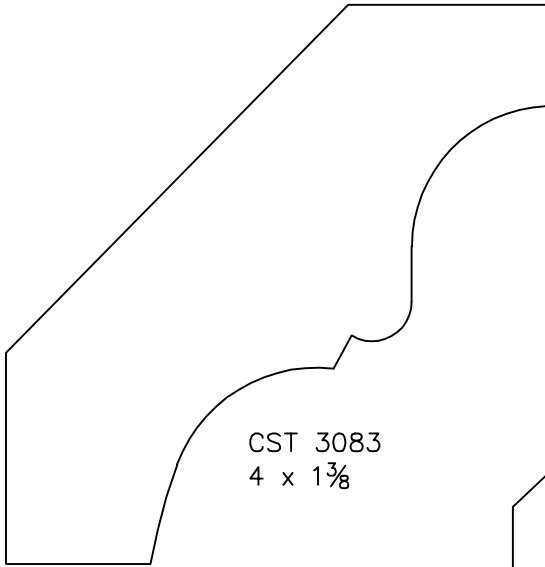
Crowns



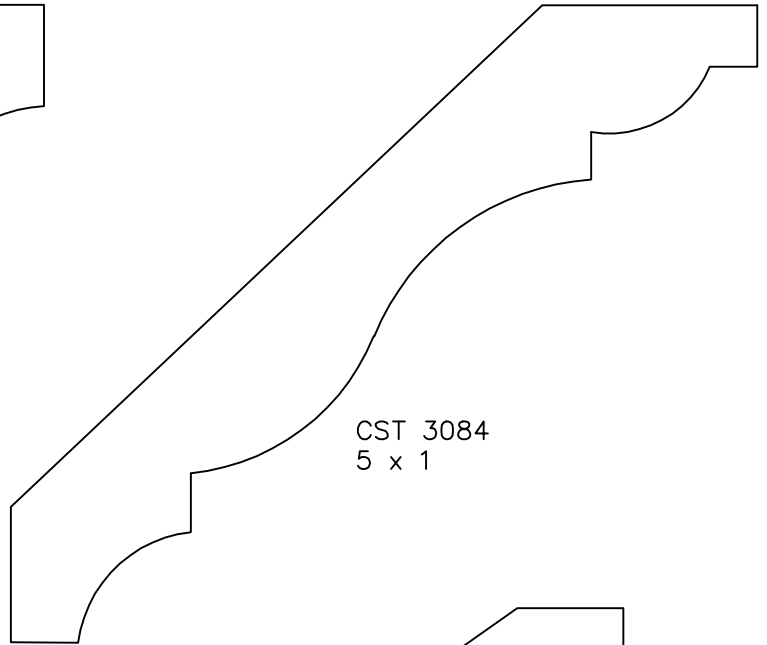
Crowns



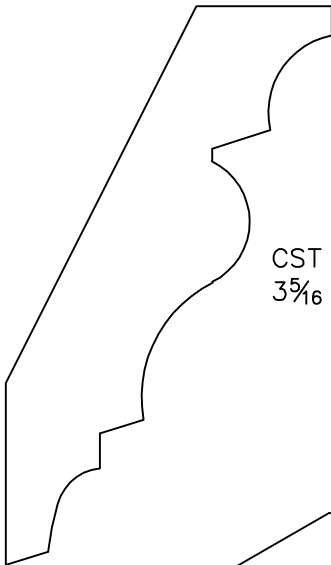
Crowns



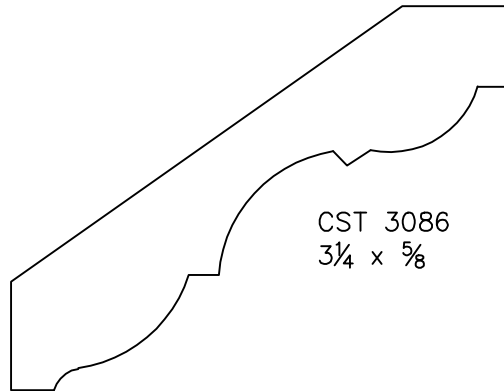
CST 3083
4 x 1 $\frac{3}{8}$



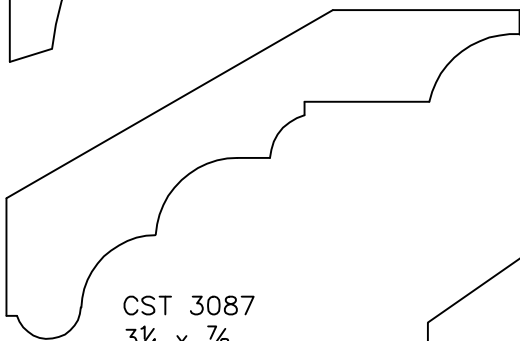
CST 3084
5 x 1



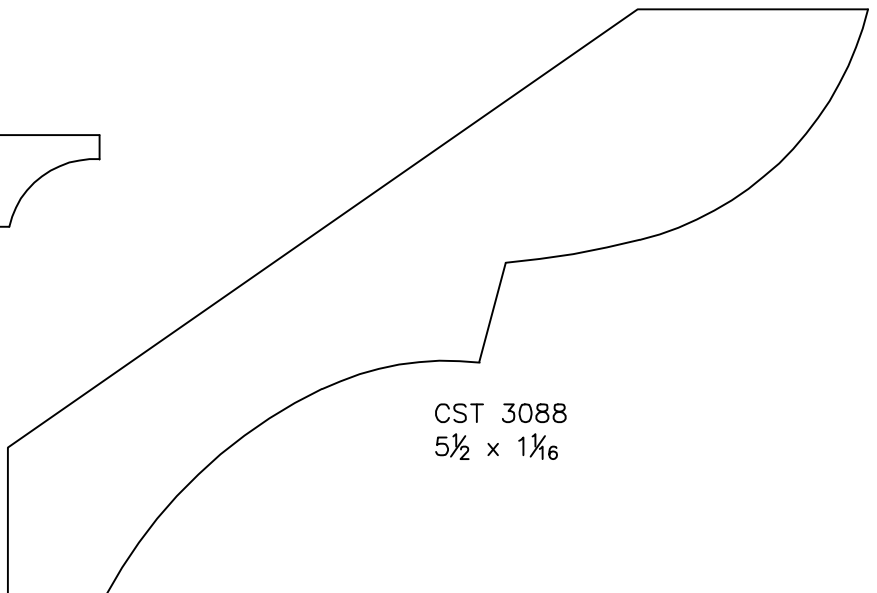
CST 3085
3 $\frac{5}{16}$ x $\frac{3}{4}$



CST 3086
3 $\frac{1}{4}$ x $\frac{5}{8}$

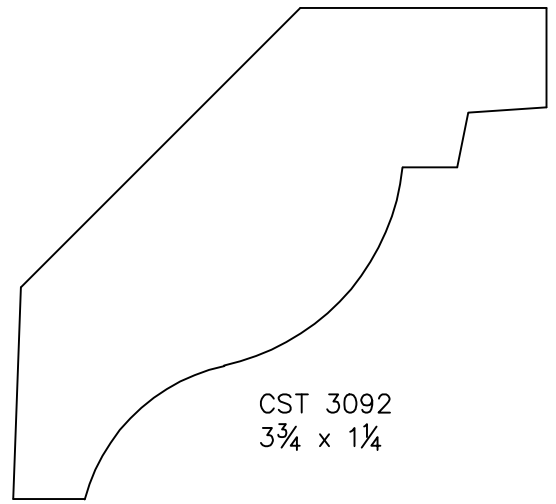
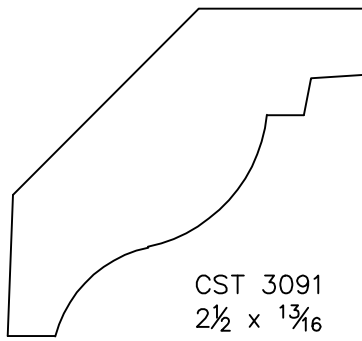
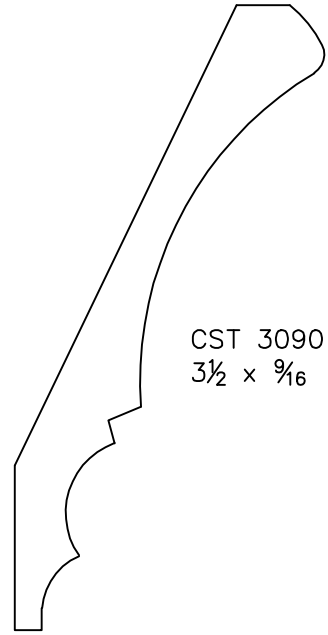


CST 3087
3 $\frac{1}{4}$ x $\frac{7}{8}$

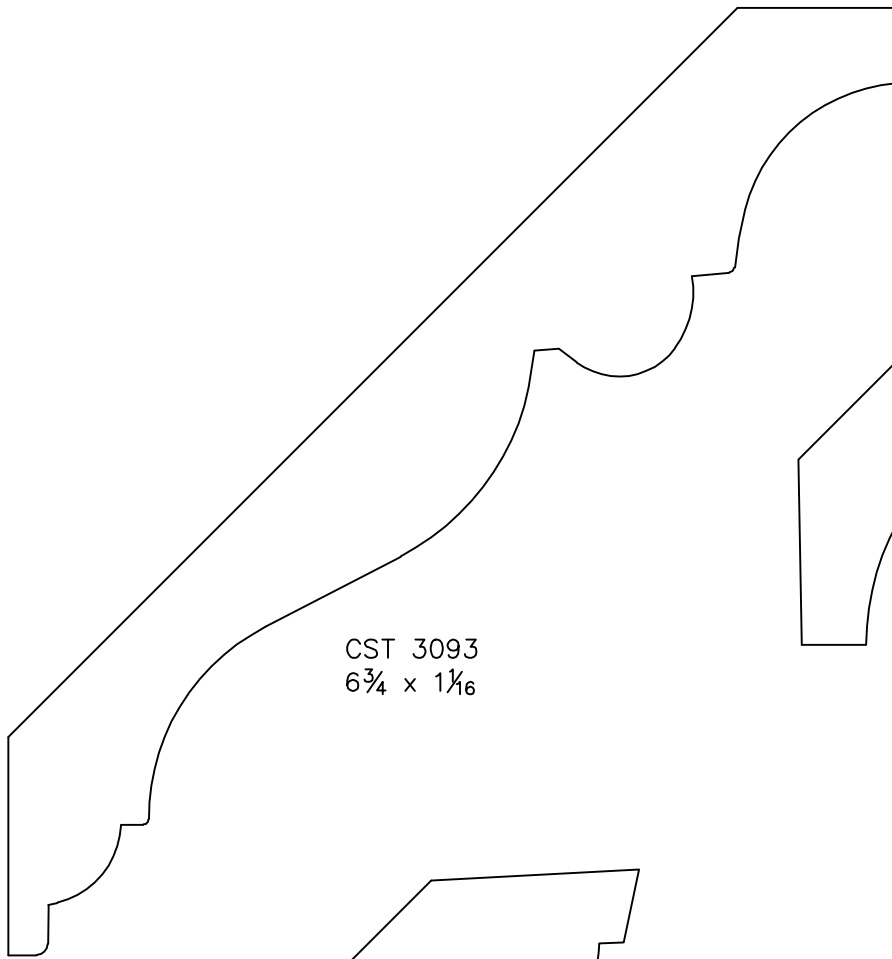


CST 3088
5 $\frac{1}{2}$ x 1 $\frac{1}{16}$

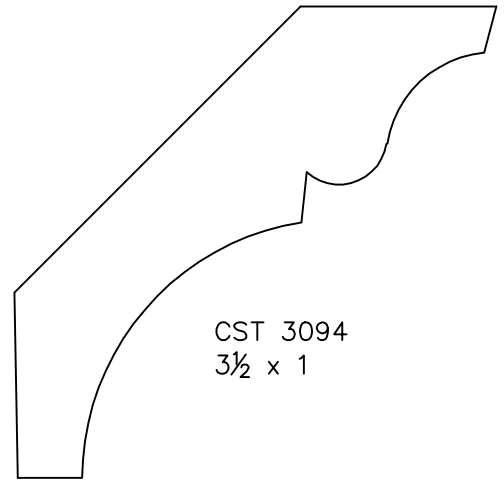
Crowns



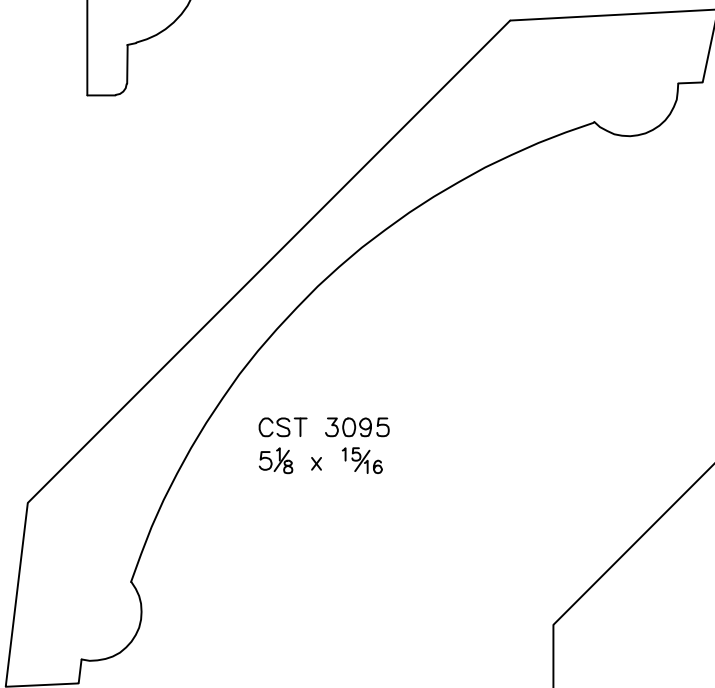
Crowns



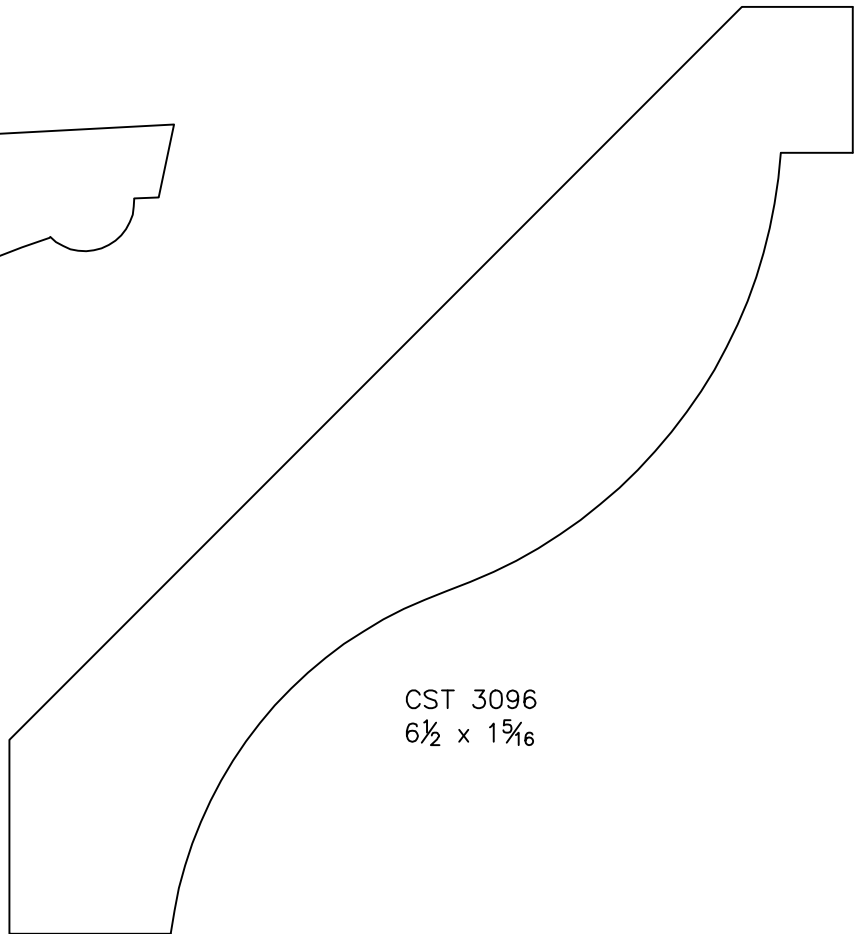
CST 3093
 $6\frac{3}{4} \times 1\frac{1}{16}$



CST 3094
 $3\frac{1}{2} \times 1$

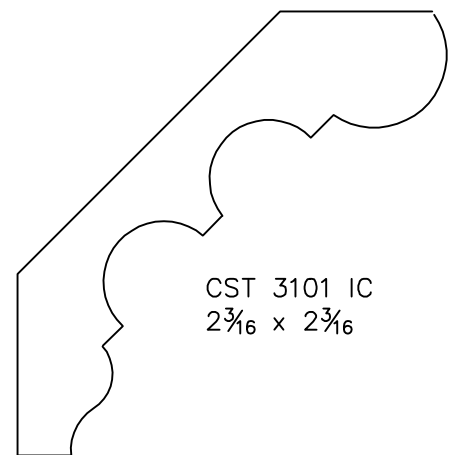
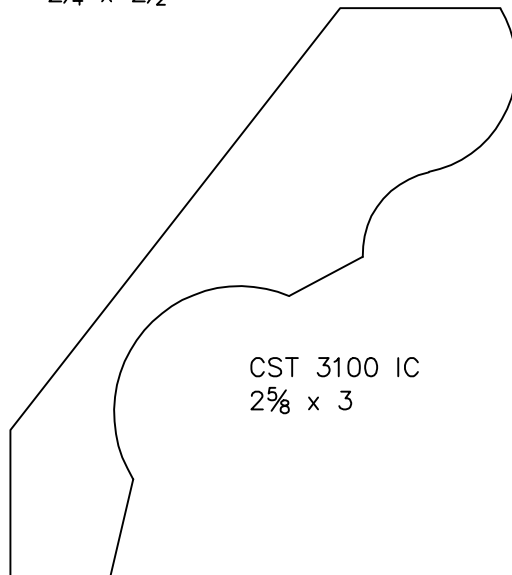
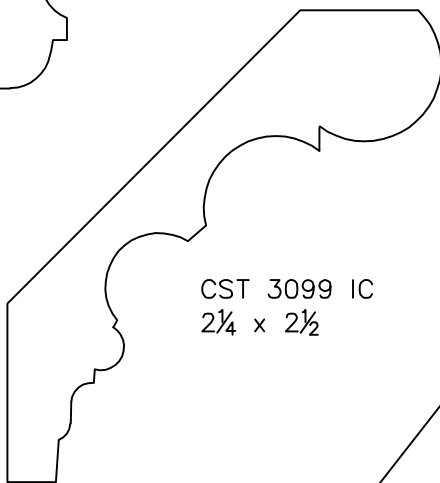
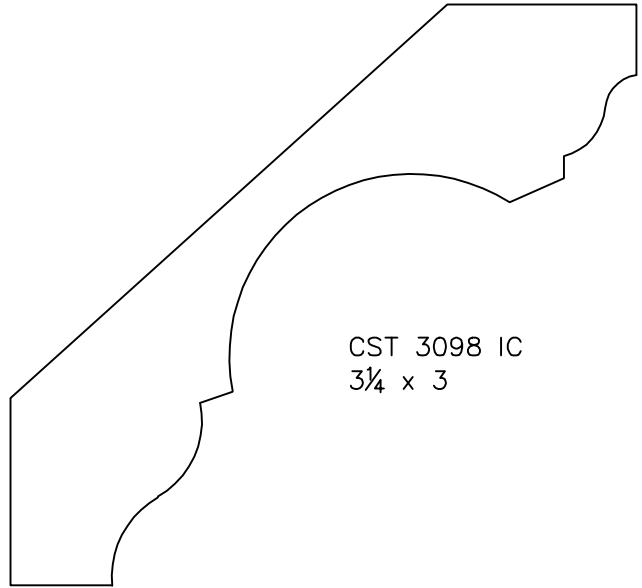
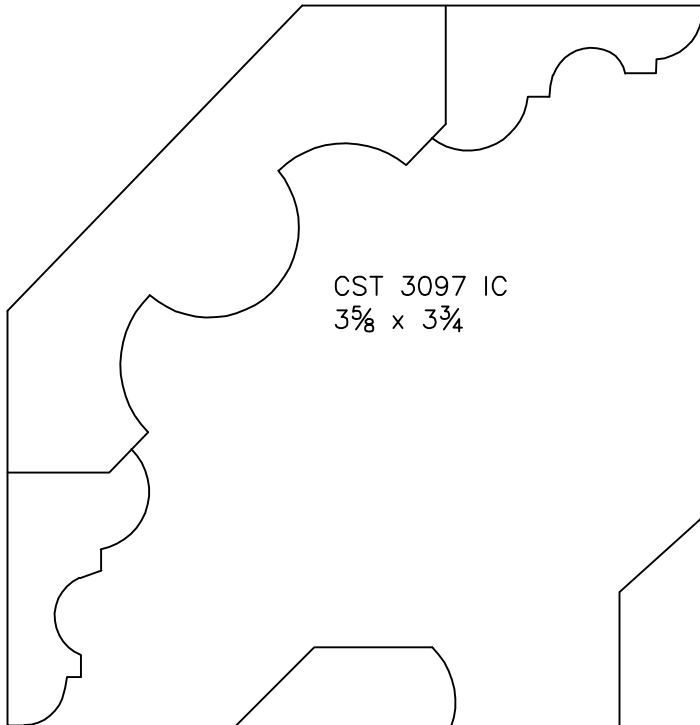


CST 3095
 $5\frac{1}{8} \times 1\frac{5}{16}$

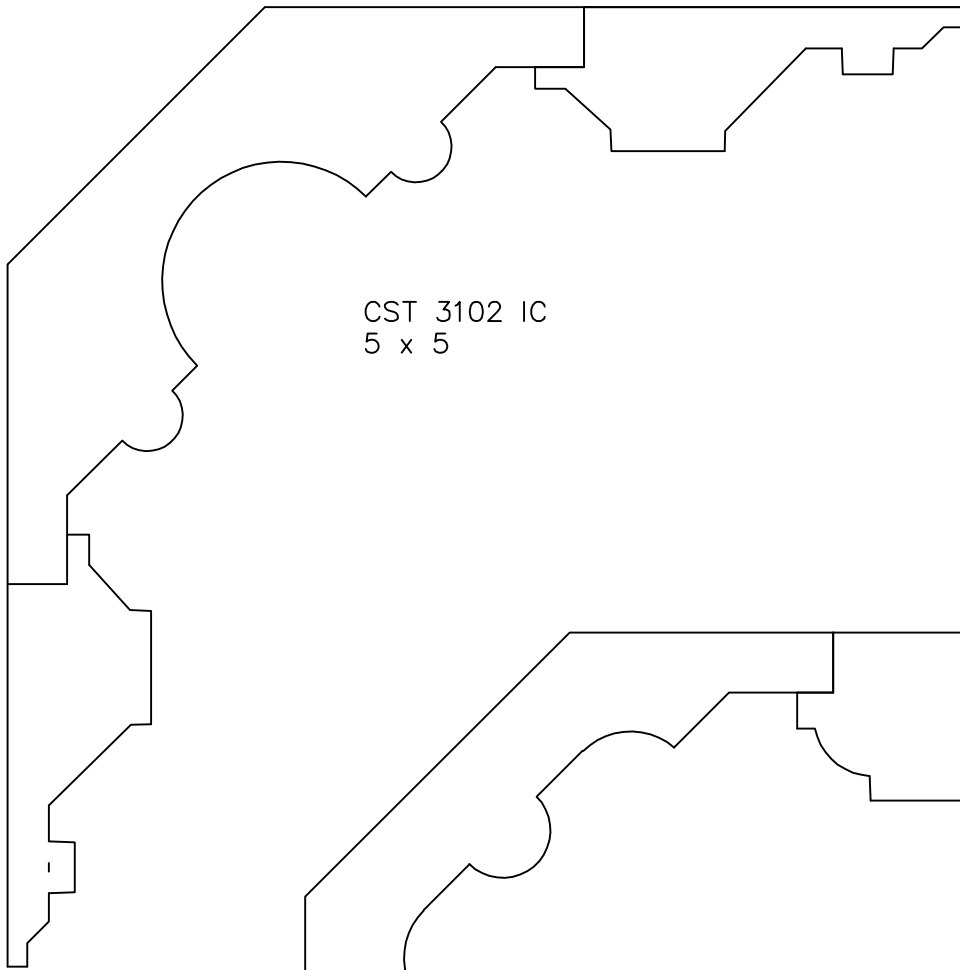


CST 3096
 $6\frac{1}{2} \times 1\frac{5}{16}$

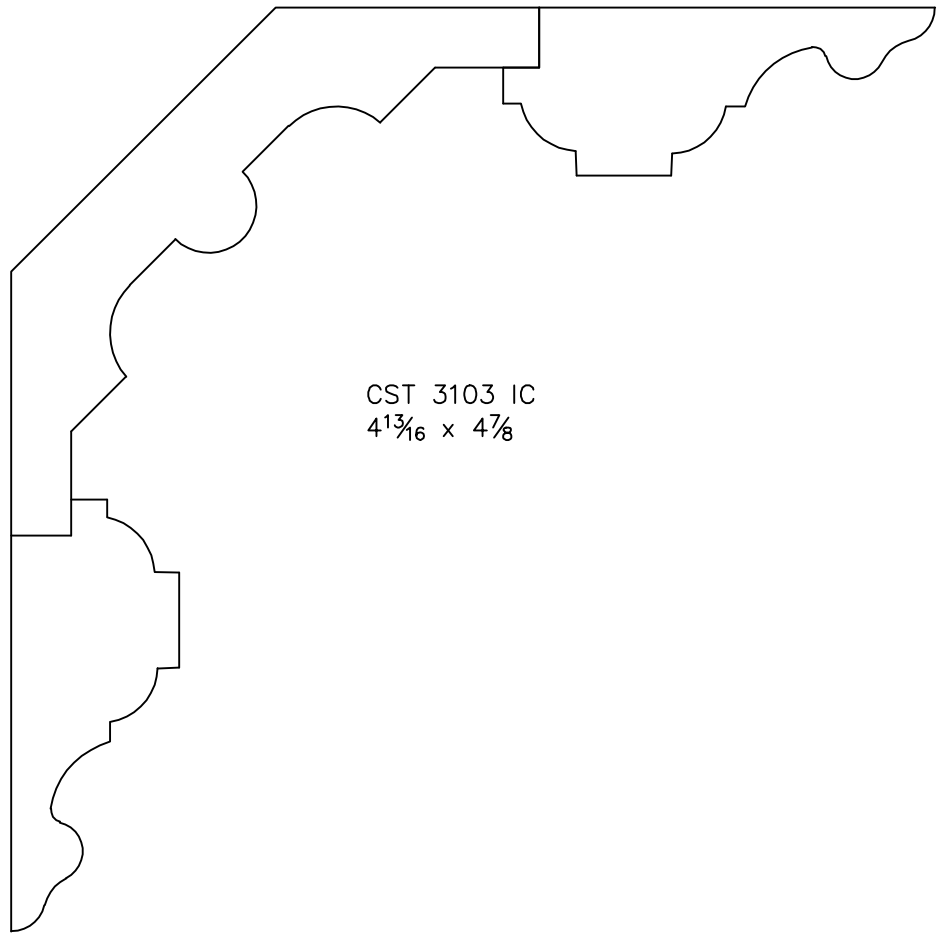
Interior Cornice



Interior Cornice

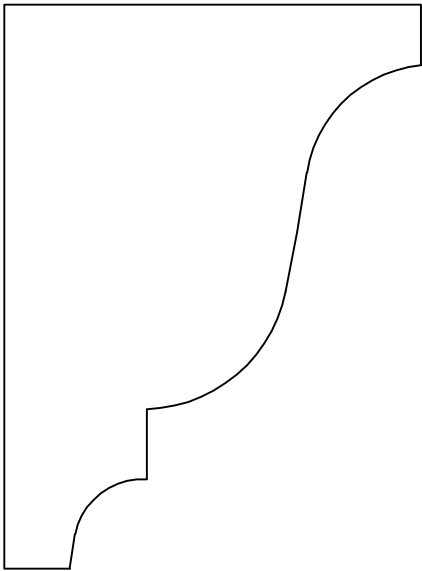


CST 3102 IC
5 x 5

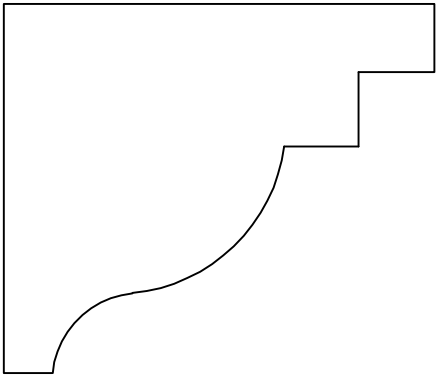


CST 3103 IC
4¹³/₁₆ x 4⁷/₈

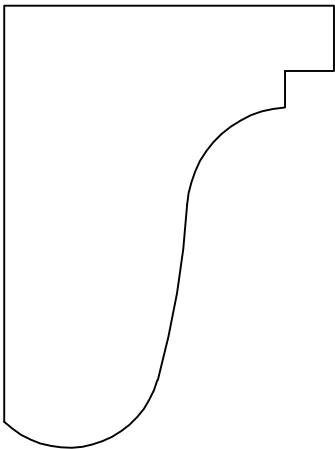
Solid Crowns



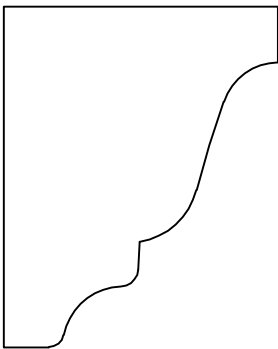
CST 3104 SC
 $2\frac{3}{16} \times 2\frac{15}{16}$



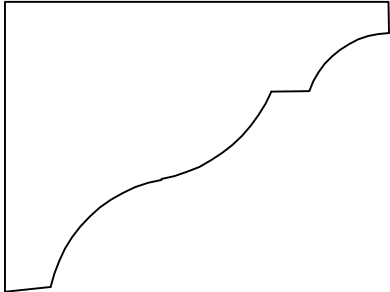
CST 3105 SC
 $2\frac{1}{4} \times 1\frac{15}{16}$



CST 3106 SC
 $1\frac{3}{4} \times 2\frac{5}{16}$

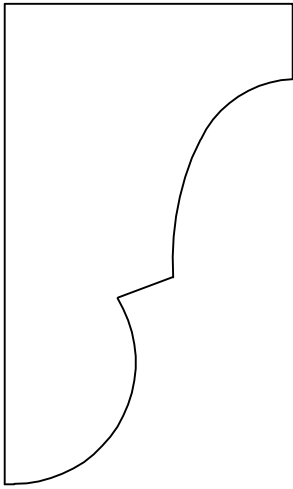


CST 3107 SC
 $1\frac{7}{16} \times 1\frac{3}{4}$

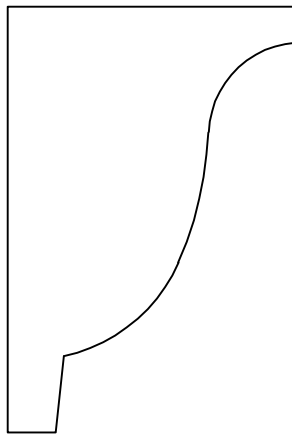


CST 3108 SC
 $2 \times 1\frac{1}{2}$

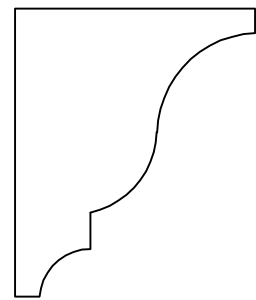
Solid Crowns



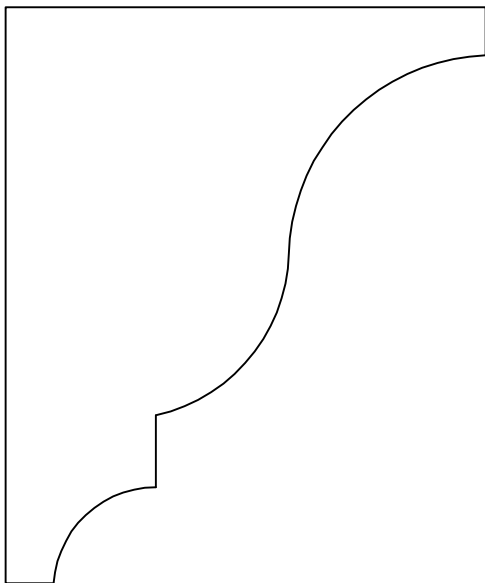
CST 3109 SC
 $1\frac{1}{2} \times 2\frac{1}{2}$



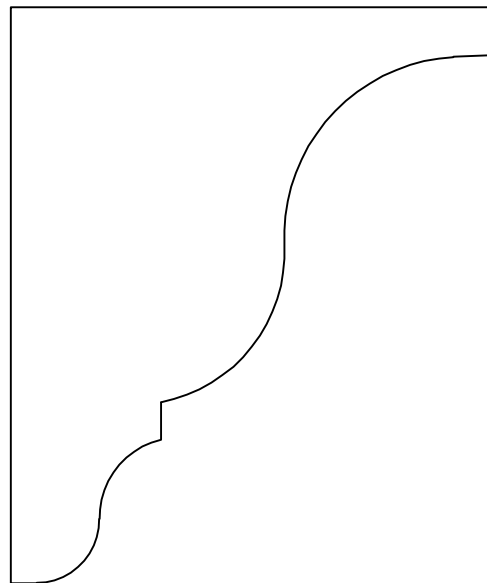
CST 3110 SC
 $1\frac{1}{2} \times 2\frac{3}{16}$



CST 3111 SC
 $1\frac{1}{4} \times 1\frac{1}{2}$



CST 3112 SC
 $2\frac{1}{2} \times 3$



CST 3113 SC
 $2\frac{1}{2} \times 3$